

Errata for Z8440/1/2/4/Z84C40/1/2/3/4 Serial Input/Output Controller Devices

This Errata provides information on the 44-lead QFP which has been replaced by the 44-lead LQFP.

Affected Documents

Table 1 provides the list of documents affected by the replacement of 44-lead QFP with 44-lead LQFP.

Table 1. Documents Affected by the Replacement of 44-Lead QFP with 44-Lead LQFP

Devices	Title	Document Number
Z8440/1/2/4/Z84C40/1/2/3/4	Z8440/1/2/4/Z84C40/1/2/3/4 Serial Input/Output Controller	PS0183

44-Lead LQFP

The Z8440/1/2/4/Z84C40/1/2/3/4 Serial Input/Output Controller devices are now available in 44-lead LQFP. Figure 1 displays the pin diagram and Table 2 provides the pin description of the 44-lead LQFP.

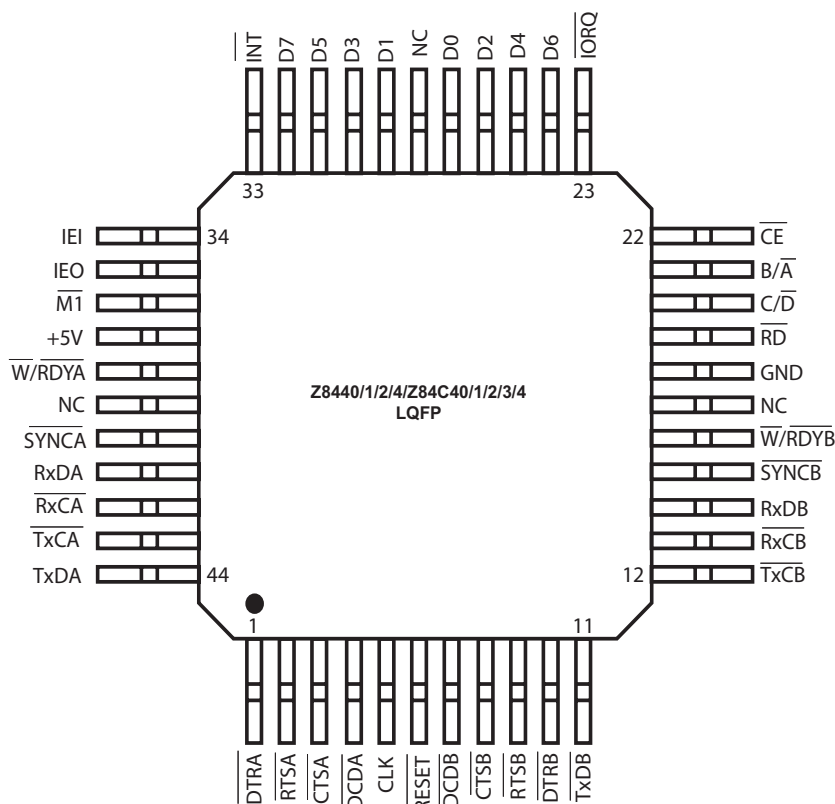


Figure 1. 44-Lead Z8440/1/2/4/Z84C40/1/2/3/4 LQFP

Table 2. 44-Lead Z8440/1/2/4/Z84C40/1/2/3/4 LQFP

Pin No	Symbol	Function	Direction
1	$\overline{\text{DTRA}}$	Data Terminal Ready	Output
2	$\overline{\text{RTSA}}$	Request To Send	Output
3	$\overline{\text{CTSA}}$	Clear To Send	Input
4	$\overline{\text{DCDA}}$	Data Carrier Detect	Input
5	CLK	System Clock	Input
6	$\overline{\text{RESET}}$	Reset	Input
7	$\overline{\text{DCDB}}$	Data Carrier Detect	Input
8	$\overline{\text{CTSB}}$	Clear To Send	Input
9	$\overline{\text{RTSB}}$	Request To Send	Output
10	$\overline{\text{DTRB}}$	Data Terminal Ready	Output
11	$\overline{\text{TxDB}}$	Transmit Data	Output
12	$\overline{\text{TxCB}}$	Transmitter Clock	Input
13	$\overline{\text{RxCB}}$	Receiver Clock	Input
14	RxDB	Receiver Data	Input
15	$\overline{\text{SYNCB}}$	Synchronization	Input/Output
16	$\overline{\text{W/RDYB}}$	Wait/Ready	Output
17	NC	No Connection	N/A
18	GND	Ground	Input
19	$\overline{\text{RD}}$	Read Cycle Status	Input
20	$\overline{\text{C/D}}$	Control/Data Select	Input
21	$\overline{\text{B/A}}$	Channel A/B Select	Input
22	$\overline{\text{CE}}$	Chip Enable	Input
23	$\overline{\text{IORQ}}$	Input Output Request	Input
24	D6	System Data Bus	Input/Output
25	D4	System Data Bus	Input/Output
26	D2	System Data Bus	Input/Output
27	D0	System Data Bus	Input/Output
28	NC	No Connection	N/A
29	D1	System Data Bus	Input/Output
30	D3	System Data Bus	Input/Output
31	D5	System Data Bus	Input/Output
32	D7	System Data Bus	Input/Output

Table 2. 44-Lead Z8440/1/2/4/Z84C40/1/2/3/4 LQFP (Continued)

Pin No	Symbol	Function	Direction
33	$\overline{\text{INT}}$	Interrupt Request	Output
34	IEI	Interrupt Enable In	Input
35	IEO	Interrupt Enable Out	Output
36	$\overline{\text{M1}}$	Machine Cycle One	Input
37	+5V	Power Supply	Input
38	$\overline{\text{W/RDYA}}$	Wait/Ready	Output
39	NC	No Connection	N/A
40	$\overline{\text{SYNCA}}$	Synchronization	Input/Output
41	RxDA	Receiver Data	Input
42	$\overline{\text{RxCA}}$	Receiver Clock	Input
43	$\overline{\text{TxCA}}$	Transmitter Clock	Input
44	TxDA	Transmit Data	Ouput



Warning: DO NOT USE IN LIFE SUPPORT

LIFE SUPPORT POLICY

ZiLOG'S PRODUCTS ARE NOT AUTHORIZED FOR USE AS CRITICAL COMPONENTS IN LIFE SUPPORT DEVICES OR SYSTEMS WITHOUT THE EXPRESS PRIOR WRITTEN APPROVAL OF THE PRESIDENT AND GENERAL COUNSEL OF ZiLOG CORPORATION.

As used herein

Life support devices or systems are devices which (a) are intended for surgical implant into the body, or (b) support or sustain life and whose failure to perform when properly used in accordance with instructions for use provided in the labeling can be reasonably expected to result in a significant injury to the user. A critical component is any component in a life support device or system whose failure to perform can be reasonably expected to cause the failure of the life support device or system or to affect its safety or effectiveness.

Document Disclaimer

©2007 by ZiLOG, Inc. All rights reserved. Information in this publication concerning the devices, applications, or technology described is intended to suggest possible uses and may be superseded. ZiLOG, INC. DOES NOT ASSUME LIABILITY FOR OR PROVIDE A REPRESENTATION OF ACCURACY OF THE INFORMATION, DEVICES, OR TECHNOLOGY DESCRIBED IN THIS DOCUMENT. ZiLOG ALSO DOES NOT ASSUME LIABILITY FOR INTELLECTUAL PROPERTY INFRINGEMENT RELATED IN ANY MANNER TO USE OF INFORMATION, DEVICES, OR TECHNOLOGY DESCRIBED HEREIN OR OTHERWISE. The information contained within this document has been verified according to the general principles of electrical and mechanical engineering.

Z8 is the registered trademark of ZiLOG, Inc. All other product or service names are the property of their respective owners.