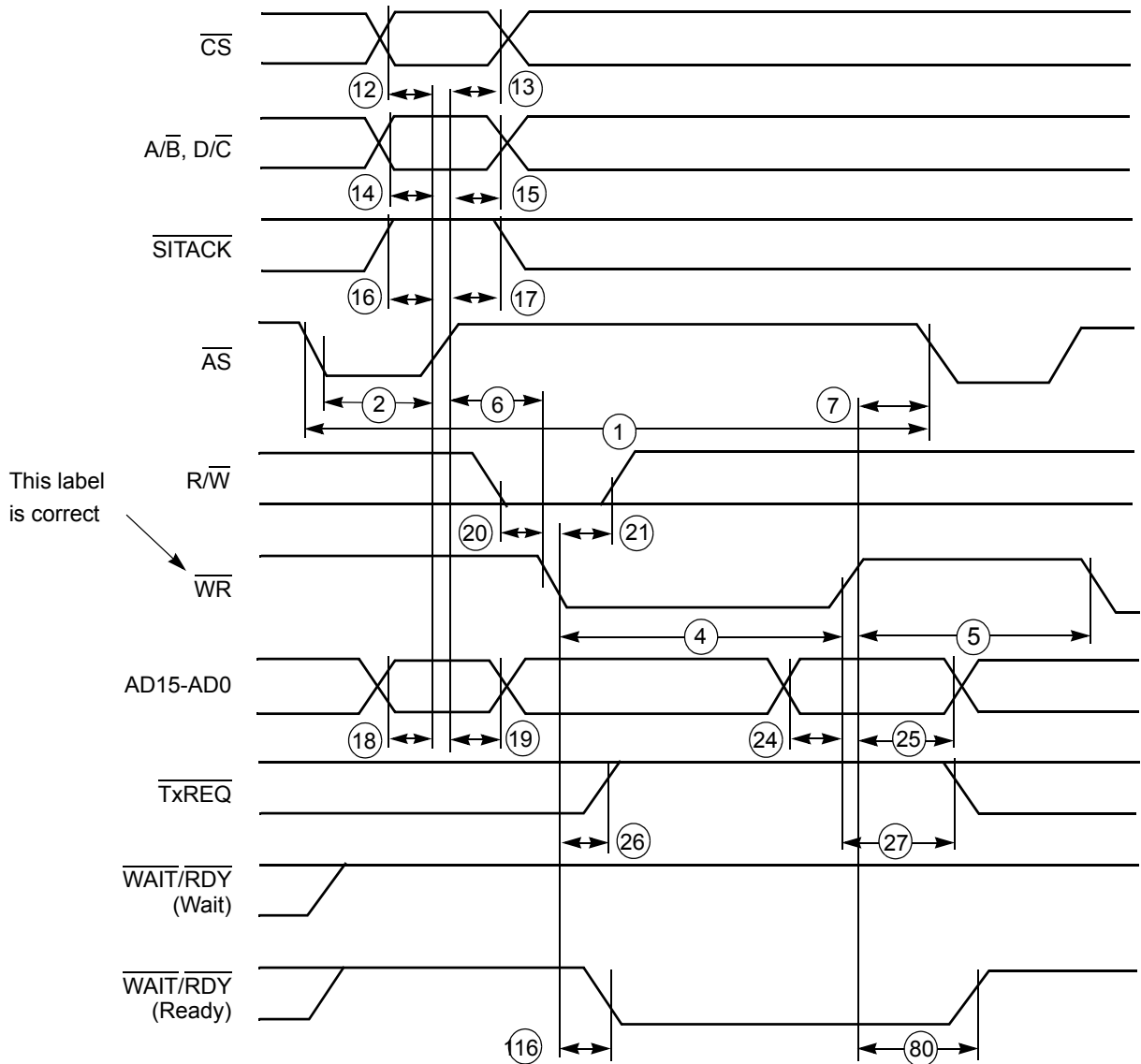


**Introduction**

This product update corrects errors found on pages 20 and 21 for *Z16C30 CMOS USC Universal Serial Controller Product Specification (DS007901-SCC0699)* available for download at [www.zilog.com](http://www.zilog.com).

**Discussion**

In *DS007901-SCC0699* on page 20, Figure 13, Multiplexed  $\overline{WR}$  Write Cycle, the sixth waveform from the top currently is displayed as a  $\overline{DS}$  cycle. This designation is correctly labeled  $\overline{WR}$ . See [Figure 1](#).



**Figure 1. Updated Multiplexed  $\overline{WR}$  Write Cycle**

In *DS007901-SCC0699* on page 21, Figure 14, Nonmultiplexed  $\overline{DS}$  Read Cycle, the sixth waveform from the top currently is displayed as a  $\overline{WR}$  cycle. This designation is correctly labeled  $\overline{DS}$ . See [Figure 2](#).

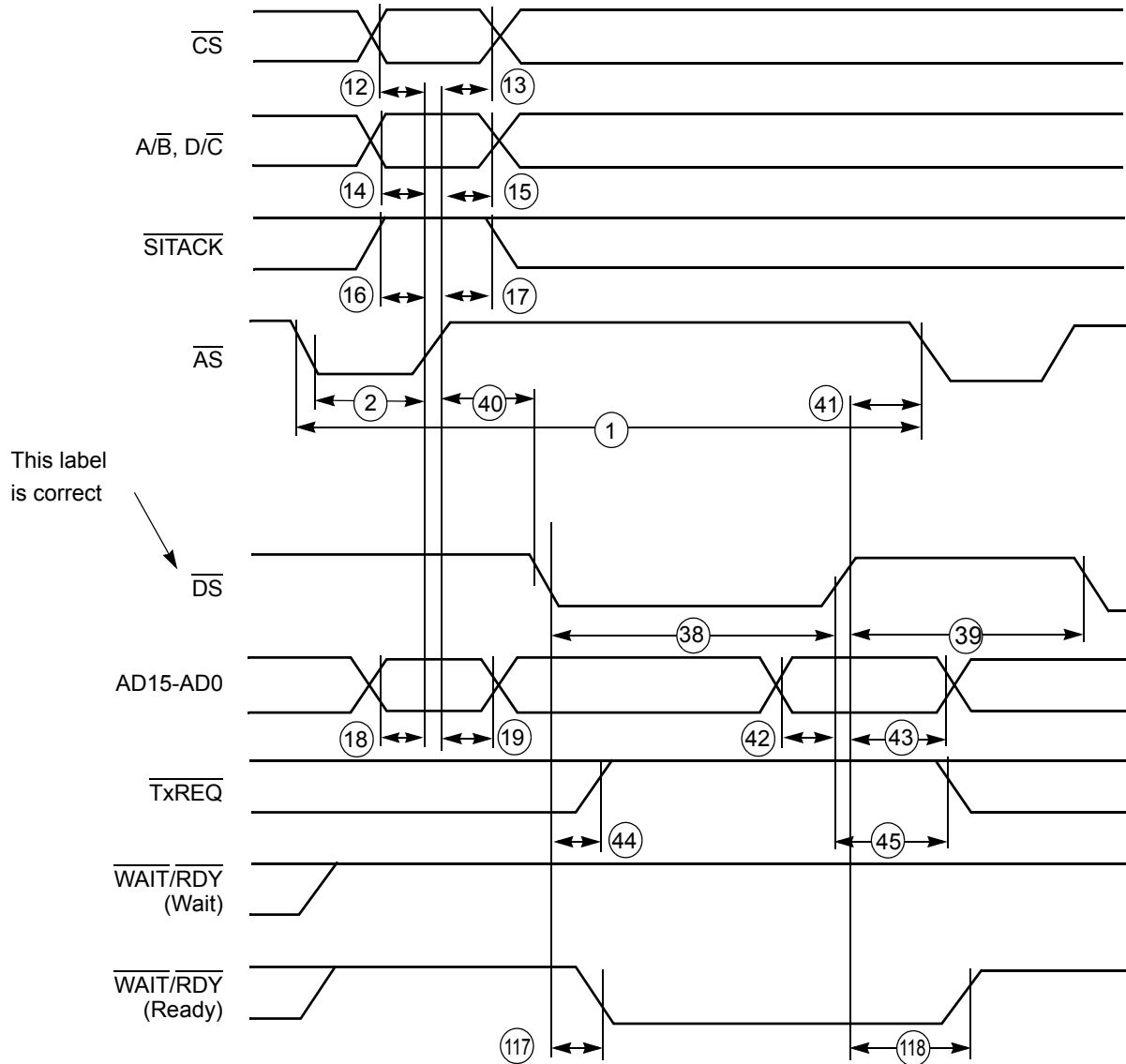


Figure 2. Updated Nonmultiplexed  $\overline{DS}$  Read Cycle

## Summary

Use [Figure 1](#) on page 1 and [Figure 2](#) instead of the figures published in *DS007901-SCC0699*.



**Warning:** DO NOT USE IN LIFE SUPPORT

### **LIFE SUPPORT POLICY**

ZILOG'S PRODUCTS ARE NOT AUTHORIZED FOR USE AS CRITICAL COMPONENTS IN LIFE SUPPORT DEVICES OR SYSTEMS WITHOUT THE EXPRESS PRIOR WRITTEN APPROVAL OF THE PRESIDENT AND GENERAL COUNSEL OF ZILOG CORPORATION.

### **As used herein**

Life support devices or systems are devices which (a) are intended for surgical implant into the body, or (b) support or sustain life and whose failure to perform when properly used in accordance with instructions for use provided in the labeling can be reasonably expected to result in a significant injury to the user. A critical component is any component in a life support device or system whose failure to perform can be reasonably expected to cause the failure of the life support device or system or to affect its safety or effectiveness.

### **Document Disclaimer**

©2008 by Zilog, Inc. All rights reserved. Information in this publication concerning the devices, applications, or technology described is intended to suggest possible uses and may be superseded. ZILOG, INC. DOES NOT ASSUME LIABILITY FOR OR PROVIDE A REPRESENTATION OF ACCURACY OF THE INFORMATION, DEVICES, OR TECHNOLOGY DESCRIBED IN THIS DOCUMENT. ZILOG ALSO DOES NOT ASSUME LIABILITY FOR INTELLECTUAL PROPERTY INFRINGEMENT RELATED IN ANY MANNER TO USE OF INFORMATION, DEVICES, OR TECHNOLOGY DESCRIBED HEREIN OR OTHERWISE. The information contained within this document has been verified according to the general principles of electrical and mechanical engineering.

Z8, Z8 Encore!, Z8 Encore! XP, Z8 Encore! MC, Crimzon, eZ80, and ZNEO are trademarks or registered trademarks of Zilog, Inc. All other product or service names are the property of their respective owners.