

Board Design Information

Figure 4 displays the schematics for the ZMOTION Development Board.

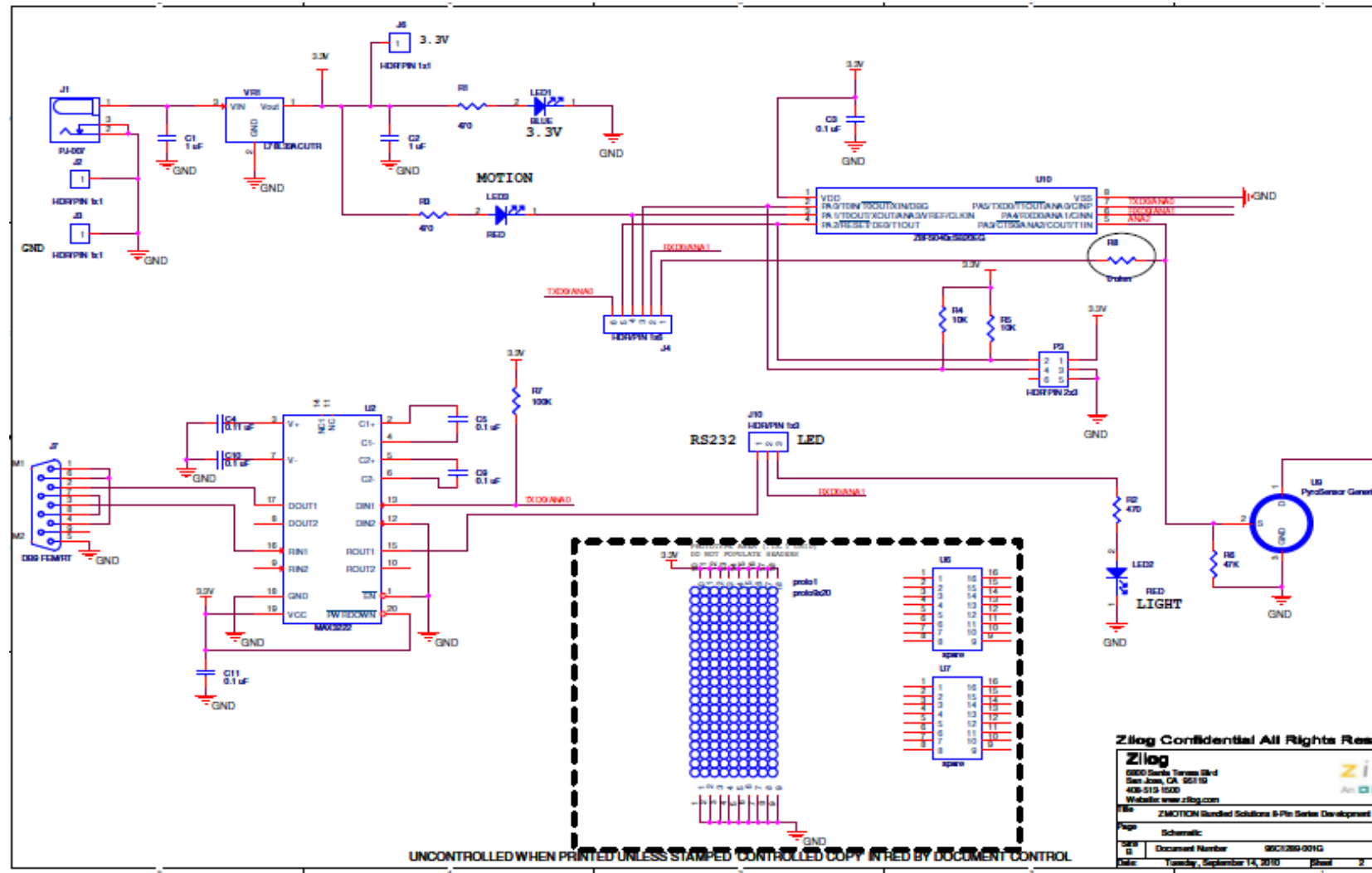


Figure 4. ZMOTION Development Board Schematic Diagram

Figure 5 displays a mechanical drawing of the ZMOTION Development Board.

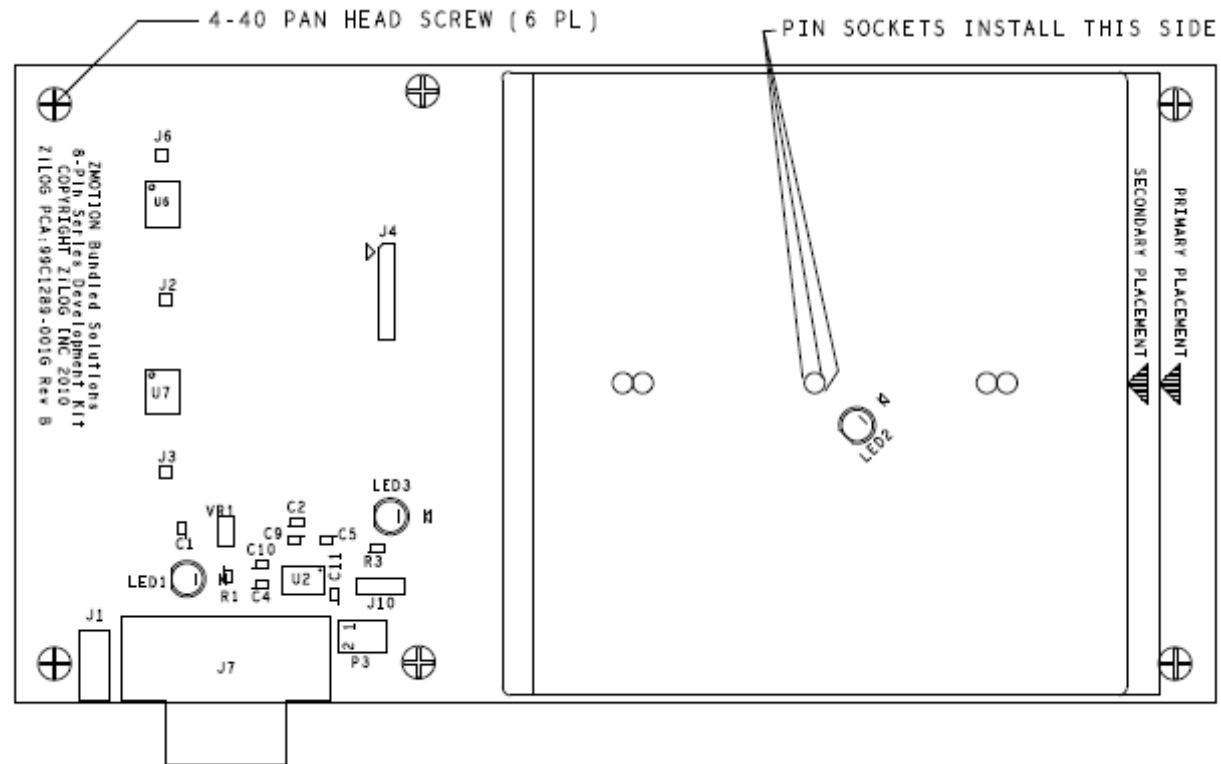


Figure 5. ZMOTION Development Board Mechanical Diagram