

Schematics

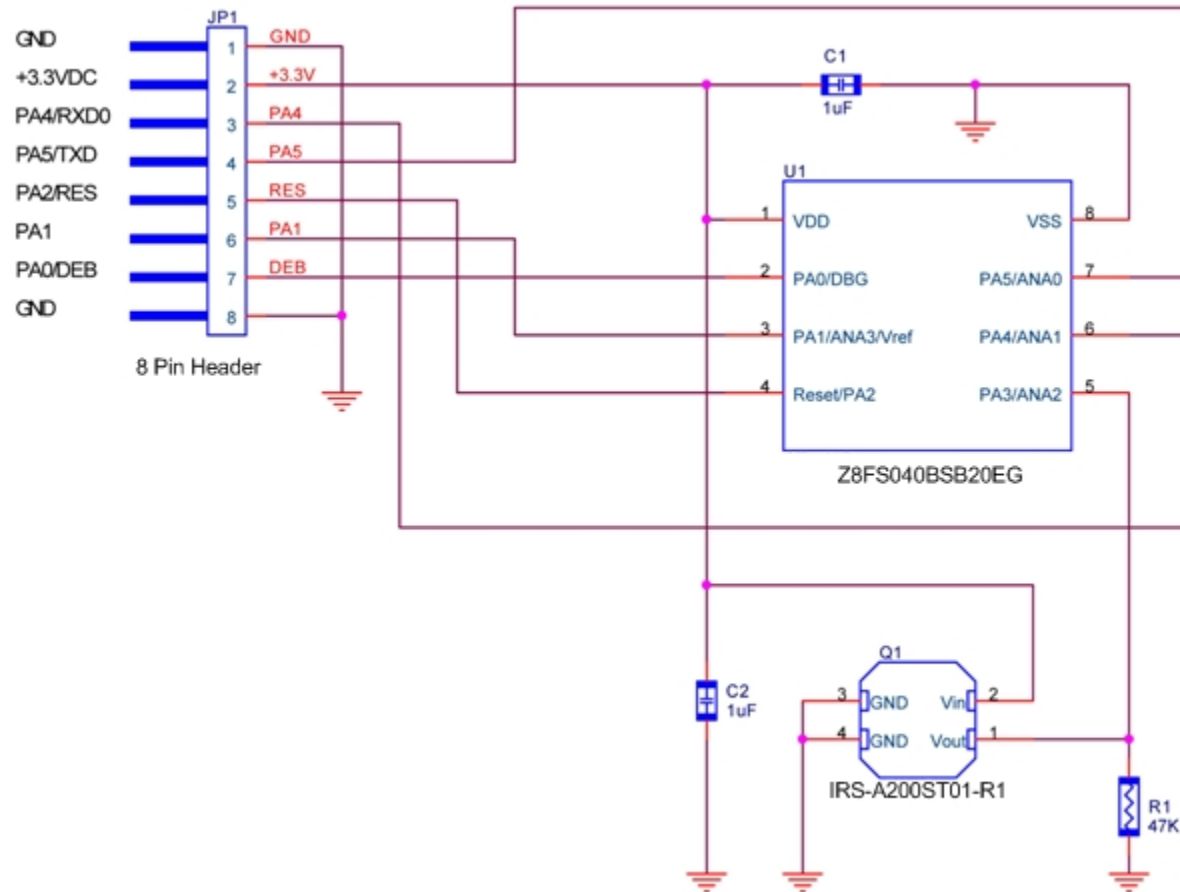


Figure 3. Schematic of ZMOTION™ Detection Module

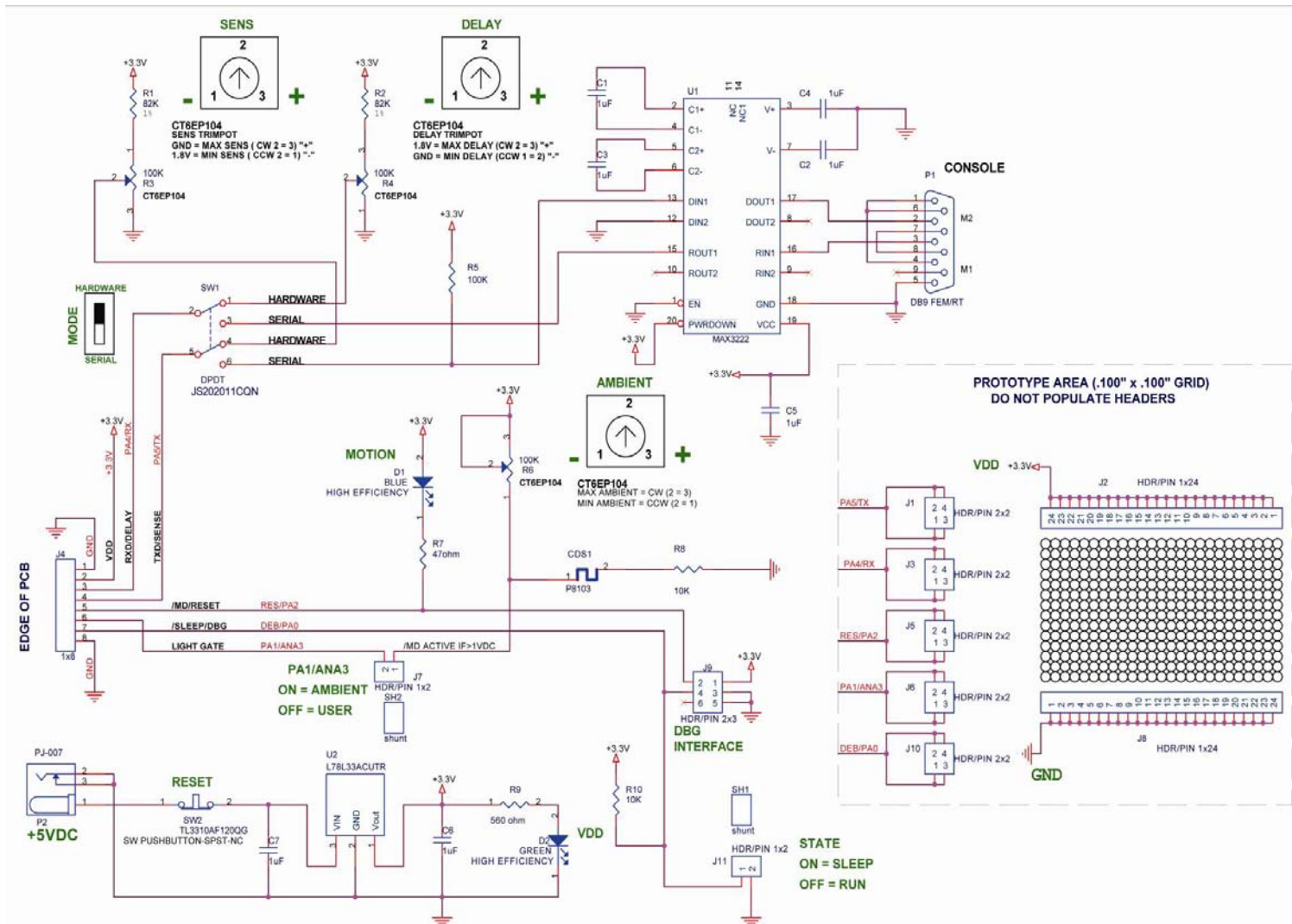


Figure 4. Schematic of ZMOTION™ Evaluation Board