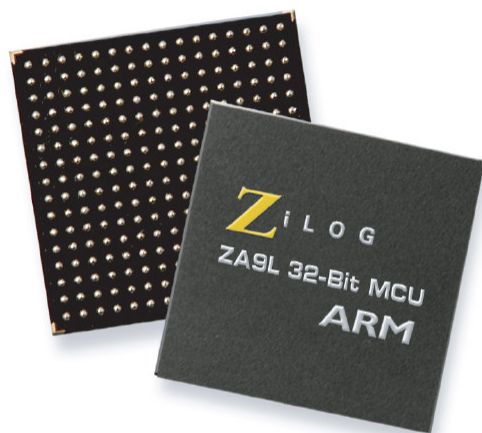


# ZA9L Series ARM® ASSP

For Secure Transaction Applications



## THE ZA9L MICROCONTROLLER: A POWERFUL SOLUTION IN A SINGLE CHIP

The ZA9L Series with its embedded security and card reading capability is pre-certified to meet the security requirements of the Payment Card Industry (PCI) PIN Entry Device (PED) specifications and EMV standards, expediting your development time and minimizing your risk. The ZA9L provides physical, environmental and boot security mechanisms that protect the integrity of the system and helps prevent fraud.

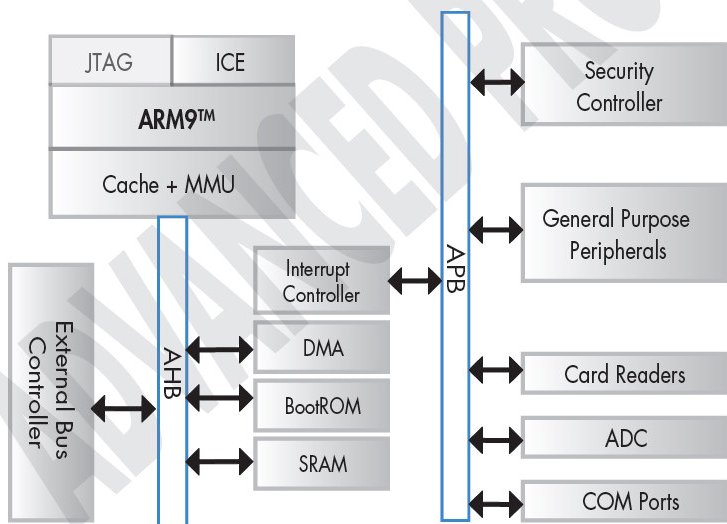
Combining 200 MIPS processing performance with application specific I/O and an abundance of general purpose I/O, the ZA9L provides the flexibility to adapt to many complex system on a chip requirements or as a security co-processor. The ZA9L Reference Design provides an extensive array of commonly used off-chip peripherals and is compatible with popular operating systems such as Linux and WinCE.

With its' highly integrated peripheral set and embedded security features, the ZA9L minimizes component count, lowers power consumption and reduces not only your bill or materials, but also your manufacturing cost.

## OVERVIEW

The ZA9L Series ASSP is a high-security, high-performance, 32-bit RISC System-on-Chip ARM9™ microcontroller that is tailored to the specific requirements of the secure transaction markets.

## ZA9L BLOCK DIAGRAM



## ZA9L APPLICATIONS

- Point-of-sale (POS) terminals
- PIN Pads
- ATMs
- Vending/Kiosks
- Ticketing
- Postage Meters
- Any Application that requires:
  - Physical Security
  - Data Security,
  - Card Reading
  - Communications

For further information, please contact Ray Chock (rchock1@zilog.com) or Mike Bocian (mbocian@zilog.com).

ARM & ARM9 are trademarks of ARM Limited. FL010501-0206

