

### Errata for Z86C33/Z86C43 CMOS Z8 MCU Consumer Controller Processor Devices

This Errata provides information on the 44-lead QFP which has been replaced by the 44-lead LQFP.

#### Affected Documents

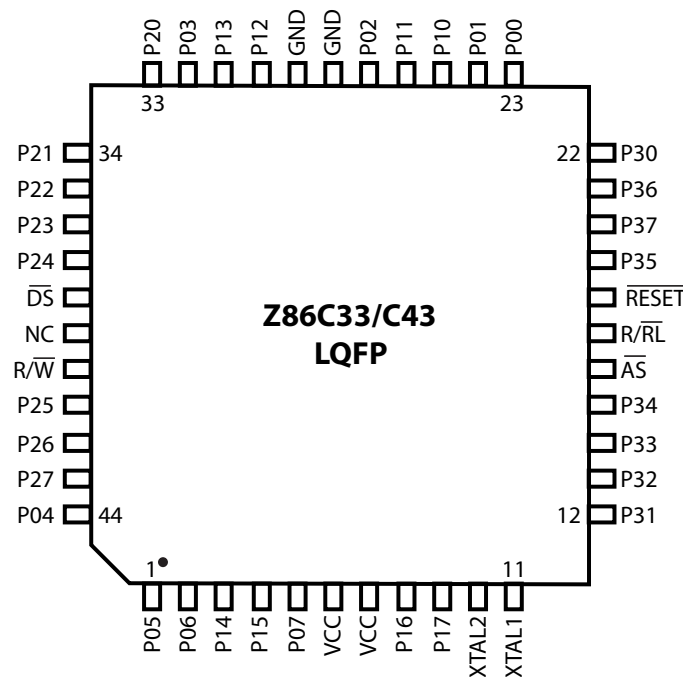
Table 1 provides the list of documents affected by the replacement of 44-lead QFP with 44-lead LQFP.

**Table 1. Documents Affected by the Replacement of the 44-Lead QFP by the 44-Lead LQFP**

Devices	Title	Document Number
Z86C33/Z86C43	Z86C33/Z86C43 CMOS Z8 MCU Consumer Controller Processor Product Specification	DS97Z8X12

#### 44-Lead LQFP

The Z86C33/Z86C43 CMOS Z8 MCU Consumer Controller Processor devices are now available in 44-lead LQFP. Figure 1 displays the pin diagram and Table 2 provides the pin description of the 44-lead LQFP.



**Figure 1. 44-Lead Z86C33/Z86C43 LQFP**

**Table 2. 44-Lead Z86C33/Z86C43 LQFP Description**

Pin No	Symbol	Function	Direction
1–2	P05–P06	Port 0, Pins 5, 6	Input/Output
3–4	P14–P15	Port 1, Pins 4, 5	Input/Output
5	P07	Port0, Pin 7	Input/Output
6–7	V <sub>CC</sub>	Power Supply	Input
8–9	P16–P17	Port 1, Pins 6, 7	Input/Output
10	XTAL2	Crystal Oscillator	Output
11	XTAL1	Crystal Oscillator	Input
12–14	P31–P33	Port 3, Pins 1, 2, 3	Input
15	P34	Port 3, Pin 4	Output
16	$\overline{AS}$	Address Strobe	Output
17	$\overline{R/RL}$	ROM/ROMless select	Input
18	$\overline{RESET}$	Reset	Input
19	P35	Port3, Pin 5	Output
20	P37	Port 3, Pin 7	Output
21	P36	Port 3, Pin 6	Output
22	P30	Port 3, Pin 0	Input
23–24	P00–P01	Port 0, Pins 0, 1	Input/Output
25–26	P10–P11	Port 1, Pins 0, 1	Input/Output
27	P02	Port 0, Pin 2	Input/Output
28–29	GND	Ground	Input
30–31	P12–P13	Port 1, Pins 2, 3	Input/Output
32	P03	Port 0, Pin 3	Input/Output
33–37	P20–P24	Port 2, Pins 0, 1, 2, 3, 4	Input/Output
38	$\overline{DS}$	Data Strobe	Output
39	NC	No Connection	N/A
40	$\overline{R/W}$	Read/Write	Output
41–43	P25–P27	Port 2, Pins 5, 6, 7	Input/Output
44	P04	Port 0, Pin 4	Output



**Warning:** DO NOT USE IN LIFE SUPPORT

### **LIFE SUPPORT POLICY**

ZiLOG'S PRODUCTS ARE NOT AUTHORIZED FOR USE AS CRITICAL COMPONENTS IN LIFE SUPPORT DEVICES OR SYSTEMS WITHOUT THE EXPRESS PRIOR WRITTEN APPROVAL OF THE PRESIDENT AND GENERAL COUNSEL OF ZiLOG CORPORATION.

### **As used herein**

Life support devices or systems are devices which (a) are intended for surgical implant into the body, or (b) support or sustain life and whose failure to perform when properly used in accordance with instructions for use provided in the labeling can be reasonably expected to result in a significant injury to the user. A critical component is any component in a life support device or system whose failure to perform can be reasonably expected to cause the failure of the life support device or system or to affect its safety or effectiveness.

### **Document Disclaimer**

©2007 by ZiLOG, Inc. All rights reserved. Information in this publication concerning the devices, applications, or technology described is intended to suggest possible uses and may be superseded. ZiLOG, INC. DOES NOT ASSUME LIABILITY FOR OR PROVIDE A REPRESENTATION OF ACCURACY OF THE INFORMATION, DEVICES, OR TECHNOLOGY DESCRIBED IN THIS DOCUMENT. ZiLOG ALSO DOES NOT ASSUME LIABILITY FOR INTELLECTUAL PROPERTY INFRINGEMENT RELATED IN ANY MANNER TO USE OF INFORMATION, DEVICES, OR TECHNOLOGY DESCRIBED HEREIN OR OTHERWISE. The information contained within this document has been verified according to the general principles of electrical and mechanical engineering.

Z8 is the registered trademark of ZiLOG, Inc. All other product or service names are the property of their respective owners.