

Errata for Z86C61/C62/C96 CMOS Microcontroller Devices

This Errata provides information on the 44-lead QFP which has been replaced by the 44-lead LQFP.

Affected Documents

Table 1 provides the list of documents affected by the replacement of 44-lead QFP with 44-lead LQFP.

Table 1. Documents Affected by the Replacement of the 44-Lead QFP by the 44-Lead LQFP

Devices	Title	Document Number
Z86C61/C62/C96	Z86C61/C62/C96 CMOS Microcontroller Product Specification	PS0035

44-Lead LQFP

The Z86C61/C62/C96 CMOS Microcontroller devices are now available in 44-lead LQFP. Figure 1 displays the pin diagram and Table 2 provides the pin description of the 44-lead LQFP.

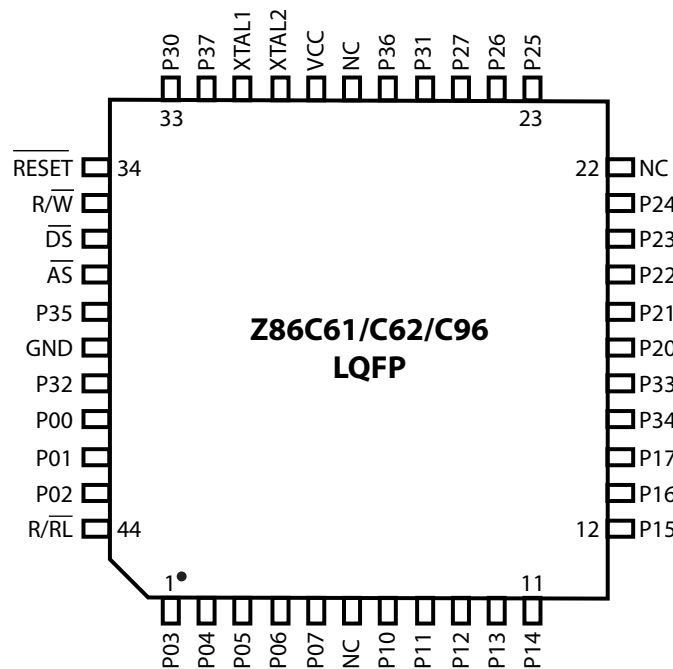


Figure 1. 44-Lead Z86C61/C62/C96 LQFP

Table 2. 44-Lead Z86C61/C62/C96 LQFP Description

Pin No	Symbol	Function	Direction
1–5	P03–P07	Port 0, Pins 3,4,5,6,7	Input/Output
6	NC	No Connection	N/A
7–14	P10–P17	Port 1, Pins 0,1,2,3,4, 5, 6, 7	Input/Output
15	P34	Port 3, Pin 4	Output
16	P33	Port 3, Pin 3	Input
17–21	P20–P24	Port 2, Pins 0,1,2,3,4	Input/Output
22	NC	No Connection	N/A
23–25	P25–P27	Port 2, Pins 5,6,7	Input/Output
26	P31	Port 3, Pin 1	Input
27	P36	Port 3, Pin 6	Output
28	NC	No Connection	N/A
29	VCC	Power Supply	Input
30	XTAL2	Crystal Oscillator Clock	Output
31	XTAL1	Crystal Oscillator Clock	Input
32	P37	Port 3, Pin 7	Output
33	P30	Port 3, Pin 0	Input
34	$\overline{\text{RESET}}$	Reset	Input
35	$\overline{\text{R/W}}$	Read/Write	Output
36	$\overline{\text{DS}}$	Data Strobe	Output
37	$\overline{\text{AS}}$	Address Strobe	Output
38	P35	Port 3, Pin 5	Output
39	GND	Ground	Input
40	P32	Port 3, Pin 2	Input
41–43	P00–P02	Port 0, Pins 0,1,2	Input
44	R/RL	ROM/ROMless Control	Output



Warning: DO NOT USE IN LIFE SUPPORT

LIFE SUPPORT POLICY

ZiLOG'S PRODUCTS ARE NOT AUTHORIZED FOR USE AS CRITICAL COMPONENTS IN LIFE SUPPORT DEVICES OR SYSTEMS WITHOUT THE EXPRESS PRIOR WRITTEN APPROVAL OF THE PRESIDENT AND GENERAL COUNSEL OF ZiLOG CORPORATION.

As used herein

Life support devices or systems are devices which (a) are intended for surgical implant into the body, or (b) support or sustain life and whose failure to perform when properly used in accordance with instructions for use provided in the labeling can be reasonably expected to result in a significant injury to the user. A critical component is any component in a life support device or system whose failure to perform can be reasonably expected to cause the failure of the life support device or system or to affect its safety or effectiveness.

Document Disclaimer

©2007 by ZiLOG, Inc. All rights reserved. Information in this publication concerning the devices, applications, or technology described is intended to suggest possible uses and may be superseded. ZiLOG, INC. DOES NOT ASSUME LIABILITY FOR OR PROVIDE A REPRESENTATION OF ACCURACY OF THE INFORMATION, DEVICES, OR TECHNOLOGY DESCRIBED IN THIS DOCUMENT. ZiLOG ALSO DOES NOT ASSUME LIABILITY FOR INTELLECTUAL PROPERTY INFRINGEMENT RELATED IN ANY MANNER TO USE OF INFORMATION, DEVICES, OR TECHNOLOGY DESCRIBED HEREIN OR OTHERWISE. The information contained within this document has been verified according to the general principles of electrical and mechanical engineering.

Z8 is the registered trademark of ZiLOG, Inc. All other product or service names are the property of their respective owners.