



## **ZNEO32! Family of Microcontrollers**

# **Z32F128 Evaluation Kit**

### **User Manual**

UM027702-0718

**ZNEO32!**  
*32 Bit Microcontrollers*



**Warning:** DO NOT USE THIS PRODUCT IN LIFE SUPPORT SYSTEMS.

---

## LIFE SUPPORT POLICY

ZILOG'S PRODUCTS ARE NOT AUTHORIZED FOR USE AS CRITICAL COMPONENTS IN LIFE SUPPORT DEVICES OR SYSTEMS WITHOUT THE EXPRESS PRIOR WRITTEN APPROVAL OF THE PRESIDENT AND GENERAL COUNSEL OF ZILOG CORPORATION.

### As used herein

Life support devices or systems are devices which (a) are intended for surgical implant into the body, or (b) support or sustain life and whose failure to perform when properly used in accordance with instructions for use provided in the labeling can be reasonably expected to result in a significant injury to the user. A critical component is any component in a life support device or system whose failure to perform can be reasonably expected to cause the failure of the life support device or system or to affect its safety or effectiveness.

### Document Disclaimer

©2018 Zilog, Inc. All rights reserved. Information in this publication concerning the devices, applications, or technology described is intended to suggest possible uses and may be superseded. ZILOG, INC. DOES NOT ASSUME LIABILITY FOR OR PROVIDE A REPRESENTATION OF ACCURACY OF THE INFORMATION, DEVICES, OR TECHNOLOGY DESCRIBED IN THIS DOCUMENT. ZILOG ALSO DOES NOT ASSUME LIABILITY FOR INTELLECTUAL PROPERTY INFRINGEMENT RELATED IN ANY MANNER TO USE OF INFORMATION, DEVICES, OR TECHNOLOGY DESCRIBED HEREIN OR OTHERWISE. The information contained within this document has been verified according to the general principles of electrical and mechanical engineering.

ZNEO32! is a trademark or registered trademark of Zilog, Inc. All other product or service names are the property of their respective owners.

## Revision History

Each instance in this document's revision history reflects a change from its previous edition. To learn more, refer to the corresponding page(s) or appropriate links furnished in the table below.

<b>Date</b>	<b>Revision Level</b>	<b>Description</b>	<b>Page</b>
Jul 2018	02	Updated the number of LEDs in the Overview section.	<a href="#">1</a>
Dec 2015	01	Original issue.	n/a

## Overview

Zilog's Z32F128 Evaluation Kit (Z32F1280100KITG) enables developers to start programming projects using the Z32F128 microcontroller, a member of the ZNEO32! Family of MCUs. The kit exposes the ports to allow them to be connected by the user for prototyping and creating proofs of concept.

This Evaluation Kit consists of 3 LEDs, 2 switches, and a USB-to-UART connection for serial communications and powering. The board also includes a standard 20-pin JTAG header.

This user manual provides a description of the Z32F128 Evaluation Board. It includes features of the Z32F128 MCU, schematic diagrams of the board, and kit contents and requirements.

## Kit Contents

The Z32F128 Evaluation Kit contains the following items:

- 1 Z32F128 Evaluation Board
- 1 A (male) to Mini-B USB cable
- 1 ZNEO32! Evaluation Kit flyer

Additional requirements (to be obtained by user):

- JTAG Debugger tool
- Cortex M3 development tools, such as Keil  $\mu$ Vision 5 or IAR Embedded workbench for ARM
- Zilog CMSIS Pack file, available at [www.zilog.com](http://www.zilog.com)
- Z32F128 MCU product specification ([PS0345](#)), available from the Zilog website.

Figure 1 shows the contents of the Z32F128 Evaluation Kit.



**Figure 1. The Z32F128 Evaluation Kit**

## Z32F128 MCU Features

Key features of the Z32F128 MCU include:

- High performance low-power Cortex-M3 core
- 72 MHz maximum CPU clock speed
- 128KB code Flash memory with cache function
- 12KB SRAM
- 3-Phase motor PWM with ADC triggering function
  - 2 channels
- 1.5MSPS high-speed ADC with burst conversion function
  - 3 ADC units with 16 channel input
- Built-in Programmable Gain Amplifier (PGA) for ADC inputs
  - 4 channels
    - 3 channels for 3 shunt resistor configuration
    - 1 channel for 1 shunt resistor configuration
- Built-in analog comparator
  - 4 channels
    - 3 channels for 3 shunt resistor configuration
    - 1 channel for 1 shunt resistor configuration
- System fail-safe function by clock monitoring
- XTAL OSC fail monitoring
- Precision internal oscillator clock (20MHz  $\pm$ 3%)
- Watchdog timer
- Six general purpose timers
- Quadrature encoder counter
- External communication ports: 4 UARTs, 2 I<sup>2</sup>Cs, 2 SPIs
- High current driving port for UART photo couplers
- Debug and emergency stop function
- Real-time monitoring function support for more effective development
- JTAG and Serial Wire Debug (SWD) in-circuit debugger
- Package options: LQFP-80, LQFP-64
- Industrial grade operating temperature (-40 ~ +85°C)

To learn more about the Z32F128 MCU, refer to the Z32F128 MCU Product Specification ([PS0345](#)).

## Mini Board

Figure 2 shows the Mini Board and Table 1 lists its characteristics.



Figure 2. Mini Board

Table 1. Mini Board Characteristics

Contents	Main Characteristics	Note
MCU	Z32F12811ATS	ARM Cortex M3
Operating clock	8MHz	Crystal
ROM	128KB Flash ROM	
RAM	12KB	
Communication port	USB to UART port	Mini-B USB connector
Debugging port	J-Tag	20-pin connector
Input buttons	1 reset, 1 NMI	Tactile switch

Figure 3 displays the Mini Board MCU's external pin connections.

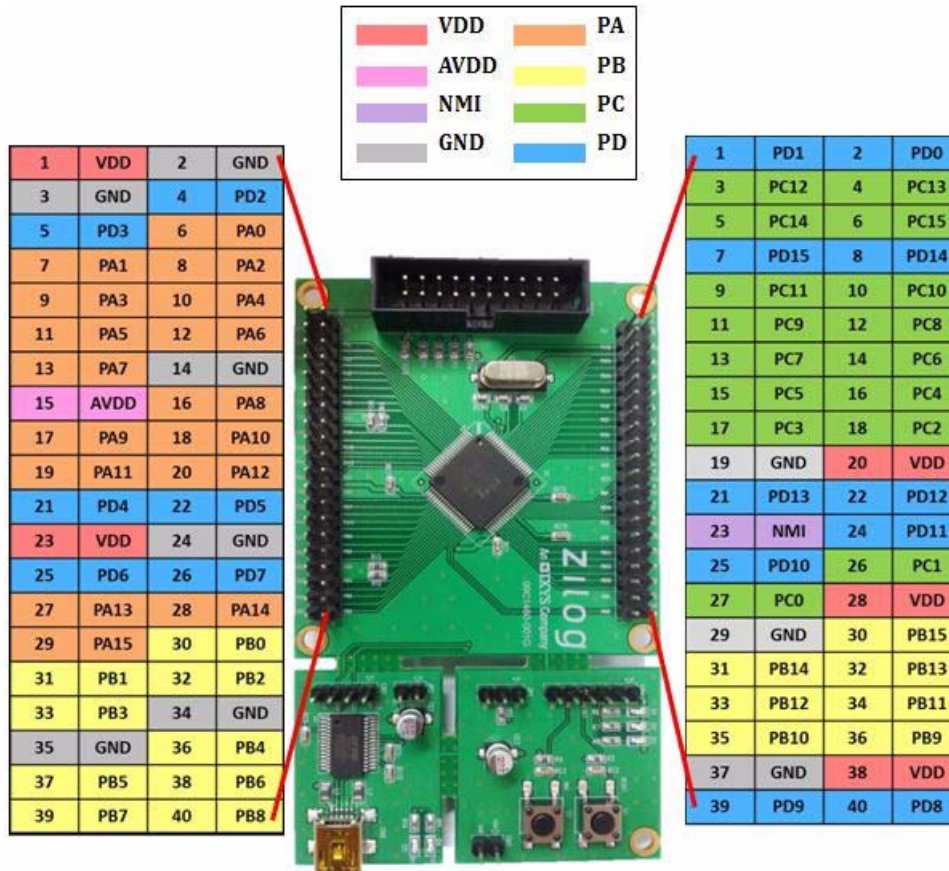


Figure 3. Mini Board MCU's External Pin Connections



The jumper settings are shown in Figure 4.

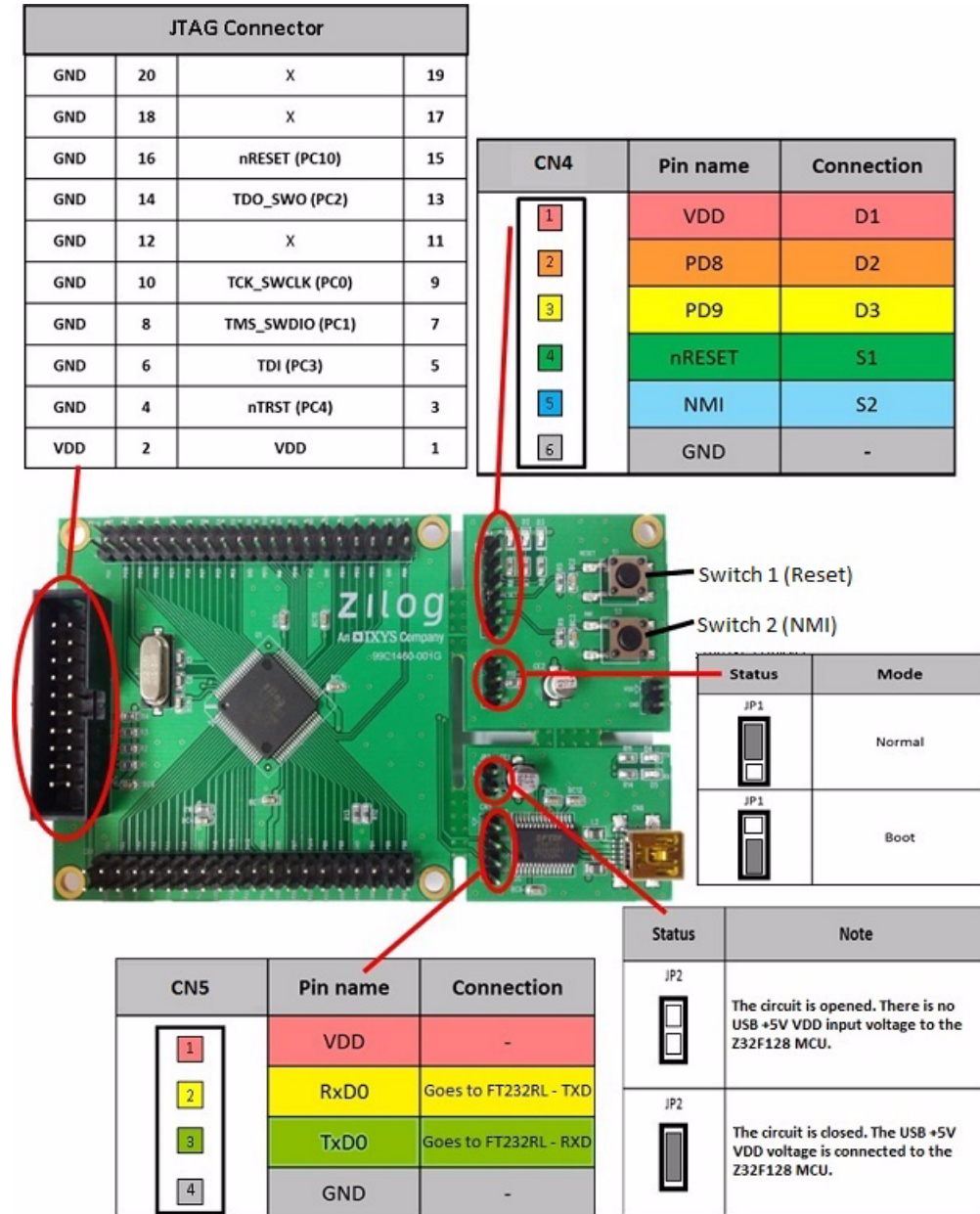


Figure 4. Jumper Settings

## Z32F128 Evaluation Kit Documentation

The documents associated with the Z32F128 Evaluation Kit are listed in Table 2. Each of these documents can be obtained from the Zilog website by clicking the link associated with its Document Number.

**Table 2. Z32F128 Evaluation Kit Documentation**

<b>Document</b>	<b>Description</b>
<a href="#">UM0277</a>	Z32F128 Evaluation Kit User Manual
<a href="#">PS0345</a>	Z32F128 Product Specification
<a href="#">FL0183</a>	ZNEO32! Evaluation Kit Insert

# Appendix A. Schematic Diagrams

Figure 5 presents a schematic diagram of the Z32F128 Evaluation Board with the 80-pin LQFP package MCU.

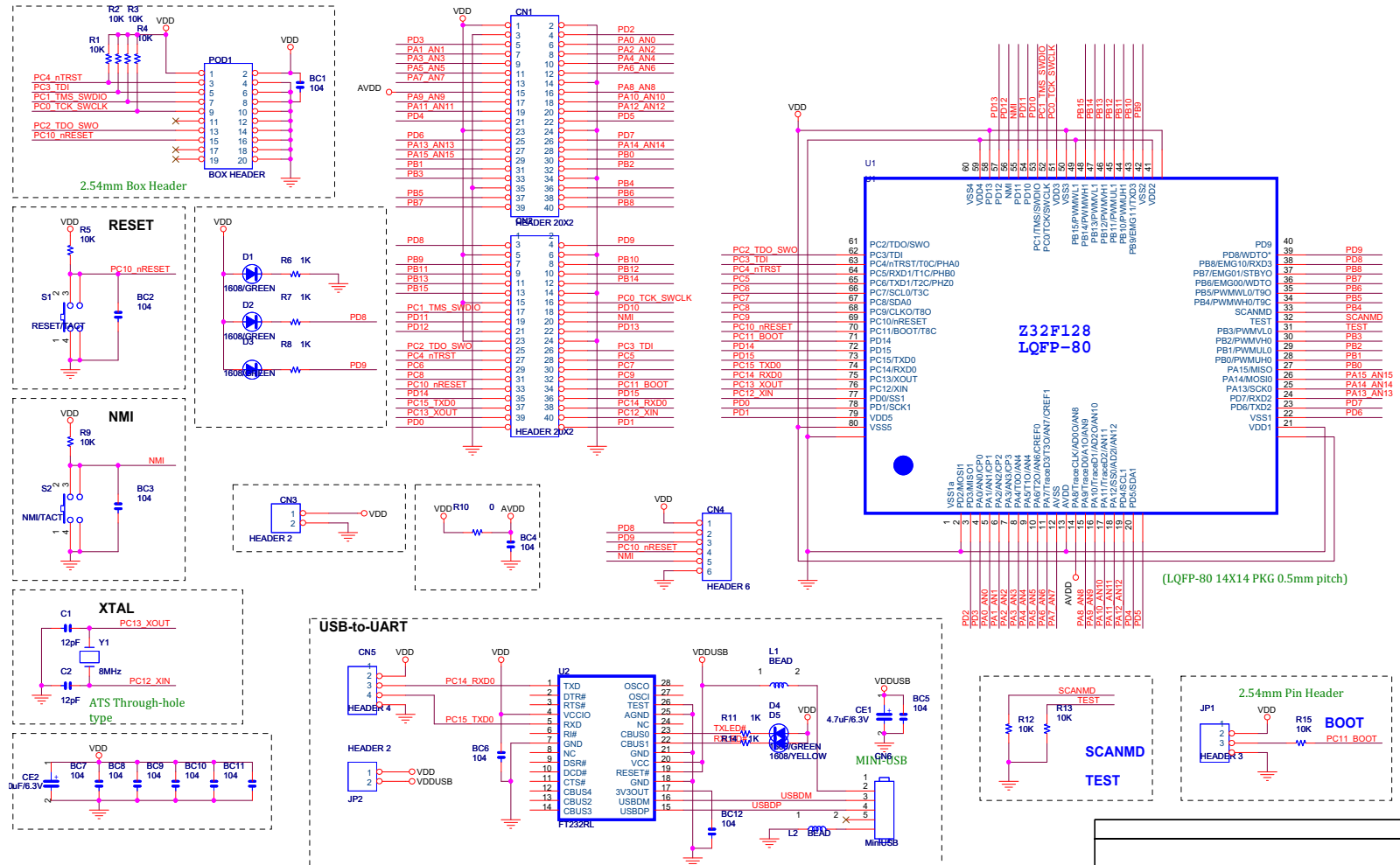


Figure 5. Z32F128 Evaluation Board Schematic Diagram

## Customer Support

To share comments, get your technical questions answered, or report issues you may be experiencing with our products, please visit Zilog's Technical Support page at <http://support.zilog.com>.

To learn more about this product, find additional documentation, or to discover other facets about Zilog product offerings, please visit the [Zilog Knowledge Base](#) or consider participating in the [Zilog Forum](#).

This publication is subject to replacement by a later edition. To determine whether a later edition exists, please visit the Zilog website at <http://www.zilog.com/>