



Packaging

Product Specification

PS007233-1120



Warning: DO NOT USE THESE PRODUCTS IN LIFE SUPPORT SYSTEMS.

LIFE SUPPORT POLICY

ZILOG'S PRODUCTS ARE NOT AUTHORIZED FOR USE AS CRITICAL COMPONENTS IN LIFE SUPPORT DEVICES OR SYSTEMS WITHOUT THE EXPRESS PRIOR WRITTEN APPROVAL OF THE PRESIDENT AND GENERAL COUNSEL OF ZILOG CORPORATION.

As used herein

Life support devices or systems are devices which (a) are intended for surgical implant into the body, or (b) support or sustain life and whose failure to perform when properly used in accordance with instructions for use provided in the labeling can be reasonably expected to result in a significant injury to the user. A critical component is any component in a life support device or system whose failure to perform can be reasonably expected to cause the failure of the life support device or system or to affect its safety or effectiveness.

Document Disclaimer

©2020 by Zilog, Inc. All rights reserved. Information in this publication concerning the devices, applications, or technology described is intended to suggest possible uses and may be superseded. ZILOG, INC. DOES NOT ASSUME LIABILITY FOR OR PROVIDE A REPRESENTATION OF ACCURACY OF THE INFORMATION, DEVICES, OR TECHNOLOGY DESCRIBED IN THIS DOCUMENT. ZILOG ALSO DOES NOT ASSUME LIABILITY FOR INTELLECTUAL PROPERTY INFRINGEMENT RELATED IN ANY MANNER TO USE OF INFORMATION, DEVICES, OR TECHNOLOGY DESCRIBED HEREIN OR OTHERWISE. The information contained within this document has been verified according to the general principles of electrical and mechanical engineering.

Z8, Z80, Z8 Encore!, Z8 Encore! XP, Z8 Encore! MC, eZ80, eZ80Acclaim!, eZ80Acclaim*Plus!*, and ZNEO are trademarks or registered trademarks of Zilog, Inc. All other product or service names are the property of their respective owners.

Table of Contents

Table of Contents.....	iii
Marketing Drawings Summary.....	1
Marketing Outline, 8-Lead PDIP.....	2
Marketing Outline, 18-Lead PDIP.....	3
Marketing Outline, 20-Lead PDIP.....	4
Marketing Outline, 28-Lead PDIP.....	5
Marketing Outline, 40-Lead PDIP.....	6
Marketing Outline, 48-Lead PDIP.....	7
Marketing Outline, 64-Lead PDIP.....	8
Marketing Outline, 28-Lead Plastic Chip Carrier.....	9
Marketing Outline, 44-Lead Plastic Chip Carrier.....	10
Marketing Outline, 68-Lead Plastic Chip Carrier.....	11
Marketing Outline, 84-Lead Plastic Chip Carrier.....	12
Marketing Outline, 80-Lead Plastic Quad Flatpack.....	13
Marketing Outline, 100-Lead Plastic Quad Flatpack.....	14
Marketing Outline, 32-Lead LQFP.....	15
Marketing Outline, 44-Lead LQFP.....	16
Marketing Outline, 64-Lead LQFP (10X10mm).....	17
Marketing Outline, 64-Lead LQFP (14X14mm).....	18
Marketing Outline, 80-Lead LQFP.....	19
Marketing Outline, 100-Lead LQFP.....	20
Marketing Outline, 144-Lead LQFP.....	21
Marketing Outline, 8-Lead SOIC.....	22
Marketing Outline, 18-Lead SOIC.....	23
Marketing Outline, 20-Lead SOIC.....	24
Marketing Outline, 28-Lead SOIC.....	25
Marketing Outline, 20-Lead SSOP.....	26
Marketing Outline, 28-Lead SSOP.....	29
Marketing Outline, 48-Lead SSOP.....	30
Marketing Outline, 144-Lead BGA.....	31
Marketing Outline, 8-Lead QFN.....	32
Marketing Outline, 20-Lead QFN.....	33
Marketing Outline, 28-Lead QFN.....	34
Marketing Outline, 32-Lead QFN.....	35
Marketing Outline, 44-Lead QFN.....	36
Packing Quantity.....	37
Package Migration.....	38
18/20-Lead PDIP Migration.....	38
28-Lead PDIP Migrations.....	39
40/44/48-Lead Migration.....	40
100/144-Lead Migration.....	41

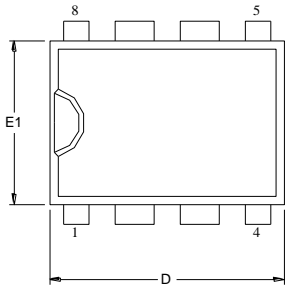
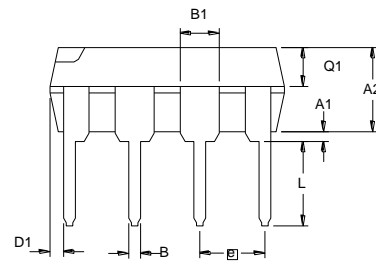
Marketing Drawings Summary

For the latest updates on the following package drawings, please contact Zilog Customer Service at zservice@zilog.com.

Lead Type	Part Number
Marketing Outline, 8-Lead Plastic DIP	MKT71C1177-00
Marketing Outline, 18-Lead Plastic DIP	MKT71C0002-00
Marketing Outline, 20-Lead Plastic DIP	MKT71C0719-00
Marketing Outline, 28-Lead Plastic DIP	MKT71C0004-00
Marketing Outline, 40-Lead Plastic DIP	MKT71C0005-00
Marketing Outline, 48-Lead Plastic DIP	MKT71C0006-00
Marketing Outline, 64-Lead Plastic DIP	MKT71C0009-00
Marketing Outline, 28-Lead Plastic Chip Carrier	MKT71C1172-00
Marketing Outline, 44-Lead Plastic Chip Carrier	MKT71C1001-00
Marketing Outline, 68-Lead Plastic Chip Carrier	MKT71C1000-00
Marketing Outline, 84-Lead Plastic Chip Carrier	MKT71C1003-00
Marketing Outline, 80-Lead Plastic Quad Flat Pack	MKT71C1151-00
Marketing Outline, 100-Lead Plastic Quad Flat Pack	MKT71C1153-00
Marketing Outline, 32-Lead LQFP (7 x 7 x 1.4 mm)	MKT71C1202-00
Marketing Outline, 44-Lead LQFP (10x10x1.4mm)	MKT71C1182-00
Marketing Outline, 64-Lead LQFP (10X10X1.4MM)	MKT71C1167-00
Marketing Outline, 64-Lead LQFP (14x14x1.4mm)	MKT71C1176-00
Marketing Outline, 80-Lead LQFP (10x10x1.4mm)	MKT71C1212-00
Marketing Outline, 100-Lead LQFP	MKT71C1159-00
Marketing Outline, 144-Lead LQFP	MKT71C1173-00
Marketing Outline, 8-Lead SOIC	MKT71C1178-00
Marketing Outline, 18-Lead SOIC	MKT71C1156-00
Marketing Outline, 20-Lead SOIC	MKT71C1164-00
Marketing Outline, 28-Lead SOIC	MKT71C1154-00
Marketing Outline, 20-Lead SSOP	MKT71C1168-00
Marketing Outline, 20-Lead SSOP-225 (6.5x4.40mm)	MKT71C1217-00
Marketing Outline, 28-Lead SSOP	MKT71C1180-00
Marketing Outline, 48-Lead SSOP	MKT71C1190-00
Marketing Outline, 144-Lead BGA (13X13 MM, 1.0 MM Pitch LBGA))	MKT71C1193-00
Marketing Outline, 8-Lead QFN (5 x 6 x 0.9 mm)	MKT71C1203-00
Marketing Outline, 20-Lead QFN (5 x 5 x 0.9mm)	MKT71C1206-00
Marketing Outline, 28-Lead QFN (5 x 5 x 0.9mm)	MKT71C1204-00
Marketing Outline, 32-Lead QFN (5 x 5 x 0.9mm)	MKT71C1205-00
Marketing Outline, 44-Lead QFN (7 x 7 x 0.9mm)	MKT71C1198-00

Marketing Outline, 8-Lead PDIP


REVISIONS		
ISSUE	DESCRIPTION	DATE
E	Update drawing template.	

SYMBOL	MILLIMETER		INCH	
	MIN	MAX	MIN	MAX
A1	0.38	0.81	0.015	0.032
A2	3.25	3.81	0.128	0.150
B	0.38	0.53	0.015	0.021
B1	1.40	1.65	0.055	0.065
C	0.20	0.30	0.008	0.012
D	9.02	9.78	0.355	0.385
E	7.62	8.26	0.300	0.325
E1	6.10	6.60	0.240	0.260
e	2.54 BSC		0.100 BSC	
eA	7.87	9.14	0.310	0.360
L	3.18	3.43	0.125	0.135
Q1	1.40	1.65	0.055	0.065
D1	0.46	-	0.018	-

CONTROLLING DIMENSIONS : MM.

SIGNATURE AND DATE	
DRWN	M.N.Galicia 9/18/12
DRFTG CHK	
APVD	E.L.Chua


 An IXYS Company
1590 Buckeye Drive
Milpitas, CA 95035-7418

TITLE
MARKETING OUTLINE,
8 LEAD PDIP

SIZE	DRAWING NO.	ISSUE
A	MKT71C1177-00	E

UNCONTROLLED WHEN PRINTED UNLESS STAMPED 'CONTROLLED COPY' IN RED BY DOCUMENT CONTROL

Marketing Outline, 18-Lead PDIP

REVISIONS		
ISSUE	DESCRIPTION	DATE
K	Update Zilog template. Remove "ZILOG CONFIDENTIAL MARK"	

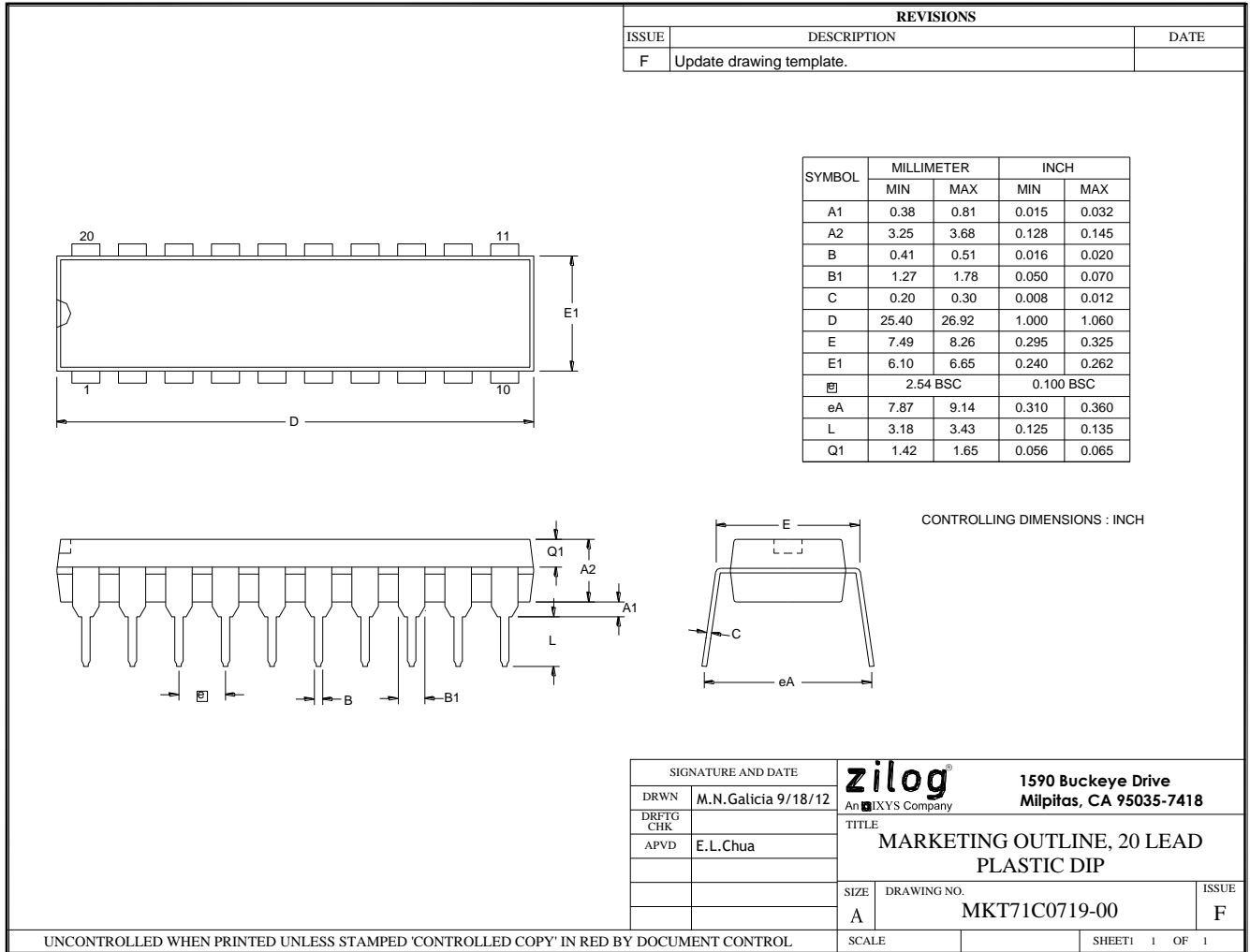
SYMBOL	MILLIMETER		INCH	
	MIN	MAX	MIN	MAX
A1	0.51	0.81	.020	.032
A2	3.25	3.68	.128	.145
B	0.38	0.53	.015	.021
B1	1.14	1.65	.045	.065
C	0.23	0.38	.009	.015
D	22.35	23.37	.880	.920
E	7.62	8.13	.300	.320
E1	6.22	6.48	.245	.255
e	2.54 BSC		.100 BSC	
eA	7.87	9.40	.310	0.370
L	3.18	3.81	.125	.150
Q1	1.47	1.65	.058	.065
S	0.89	1.65	.035	.065

CONTROLLING DIMENSIONS: INCH

SIGNATURE AND DATE		 An IXYS Company	1590 Buckeye Drive Milpitas, CA 95035-7418	
DRWN	M.N.Galicia 9/7/12		TITLE	
DRFTG		MARKETING OUTLINE, 18 LEAD PLASTIC DIP		
CHK				
APVD	E.L.Chua			
		SIZE DRAWING NO.		ISSUE
		A MKT71C0002-00		K
		SCALE		SHEET 1 OF 1

UNCONTROLLED WHEN PRINTED UNLESS STAMPED 'CONTROLLED COPY' IN RED BY DOCUMENT CONTROL

Marketing Outline, 20-Lead PDIP



Marketing Outline, 28-Lead PDIP

REVISIONS		
ISSUE	DESCRIPTION	DATE
O	Use updated drawing template. No "Zilog Confidential" mark	

SYMBOL	OPT #	MILLIMETER		INCH	
		MIN	MAX	MIN	MAX
A1		0.38	1.02	.015	.040
A2		3.18	4.19	.125	.165
B		0.38	0.53	.015	.021
B1	01	1.40	1.65	.055	.065
	02	1.14	1.40	.045	.055
C		0.23	0.38	.009	.015
D	01	36.58	37.34	1.440	1.470
	02	35.31	35.94	1.390	1.415
E		15.24	15.75	.600	.620
E1	01	13.59	14.10	.535	.555
	02	12.83	13.08	.505	.515
e		2.54 TYP		.100 BSC	
eA		15.49	16.76	.610	.660
L		3.05	3.81	.120	.150
Q1	01	1.40	1.91	.055	.075
	02	1.40	1.88	.055	.074
S	01	1.52	2.29	.060	.090
	02	1.02	1.52	.040	.060

CONTROLLING DIMENSIONS : INCH

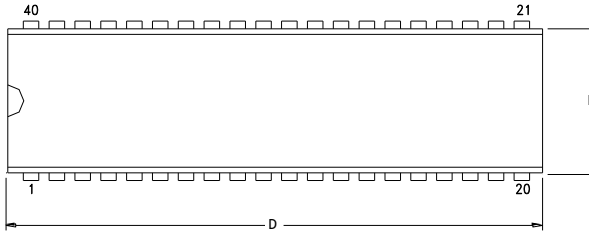
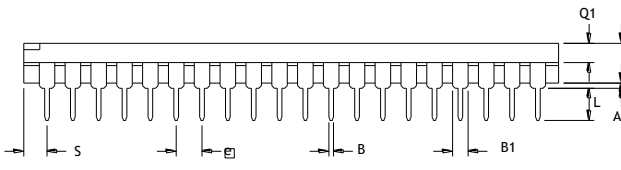
OPTION TABLE	
OPTION #	PACKAGE
01	STANDARD
02	IDF

Note: Zilog supplies both options for production. Component layout PCB design should cover bigger option 01.

SIGNATURE AND DATE		zilog [®] An IXYS Company	1590 Buckeye Drive Milpitas, CA 95035-7418		
DRWN	M.N.Galicia 10/31/12			TITLE MARKETING OUTLINE, 28 LEAD PLASTIC DIP	
DRFTG CHK					
APVD	E.L.Chua				
SIZE	A	DRAWING NO.	MKT71C0004-00	ISSUE	O
UNCONTROLLED WHEN PRINTED UNLESS STAMPED 'CONTROLLED COPY' IN RED BY DOCUMENT CONTROL		SCALE		SHEET 1	OF 1

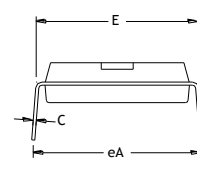
Marketing Outline, 40-Lead PDIP


REVISIONS		
ISSUE	DESCRIPTION	DATE
N	Update drawing template.	

SYMBOL	MILLIMETER		INCH	
	MIN	MAX	MIN	MAX
A1	0.38	1.02	0.015	0.040
A2	3.18	4.06	0.125	0.160
B	0.38	0.53	0.015	0.021
B1	1.02	1.52	0.040	0.060
C	0.23	0.38	0.009	0.015
D	52.07	52.58	2.050	2.070
E	15.24	15.75	0.600	0.620
E1	13.59	14.22	0.535	0.560
e	2.54 TYP		0.100 TYP	
eA	15.49	16.76	0.610	0.660
L	3.05	3.81	0.120	0.150
Q1	1.40	1.91	0.055	0.075
S	1.52	2.29	0.060	0.090

CONTROLLING DIMENSIONS : INCH



SIGNATURE AND DATE		 An IXYS Company	1590 Buckeye Drive Milpitas, CA 95035-7418		
DRWN	M.N.Galicia 9/18/12		MARKETING OUTLINE, 40 LEAD PLASTIC DIP		
DRFTG CHK					
APVD	E.L.Chua				
SIZE	A	DRAWING NO.	MKT71C0005-00		
		ISSUE	N		

UNCONTROLLED WHEN PRINTED UNLESS STAMPED 'CONTROLLED COPY' IN RED BY DOCUMENT CONTROL

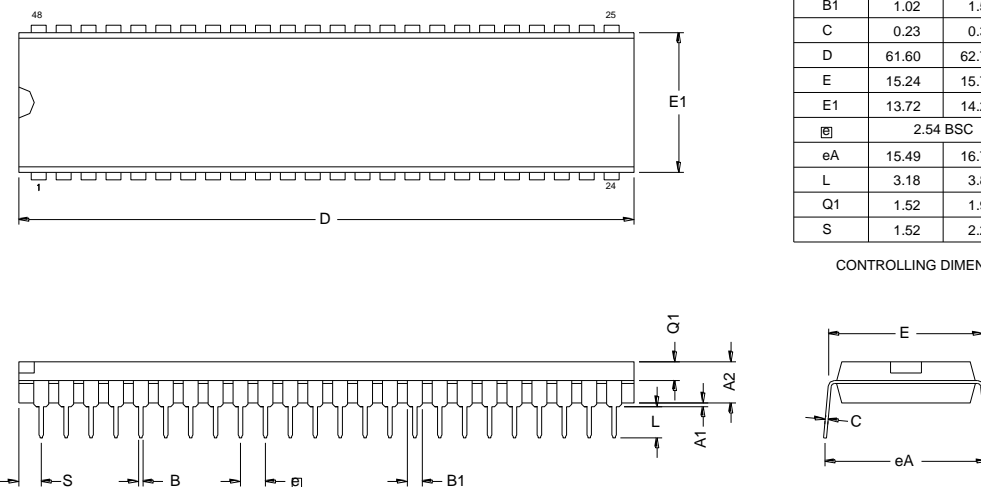
SCALE _____ SHEET 1 OF 1


Marketing Outline, 48-Lead PDIP

REVISIONS		
ISSUE	DESCRIPTION	DATE
I	Update drawing template.	

SYMBOL	MILLIMETER		INCH	
	MIN	MAX	MIN	MAX
A1	0.38	0.81	.015	.032
A2	3.68	4.19	.145	.165
B	0.38	0.53	.015	.021
B1	1.02	1.52	.040	.060
C	0.23	0.38	.009	.015
D	61.60	62.74	2.425	2.470
E	15.24	15.75	.600	.620
E1	13.72	14.22	.540	.560
Ⓜ	2.54 BSC		.100 BSC	
eA	15.49	16.76	.610	.660
L	3.18	3.81	.125	.150
Q1	1.52	1.91	.060	.075
S	1.52	2.29	.060	.090

CONTROLLING DIMENSIONS : INCH

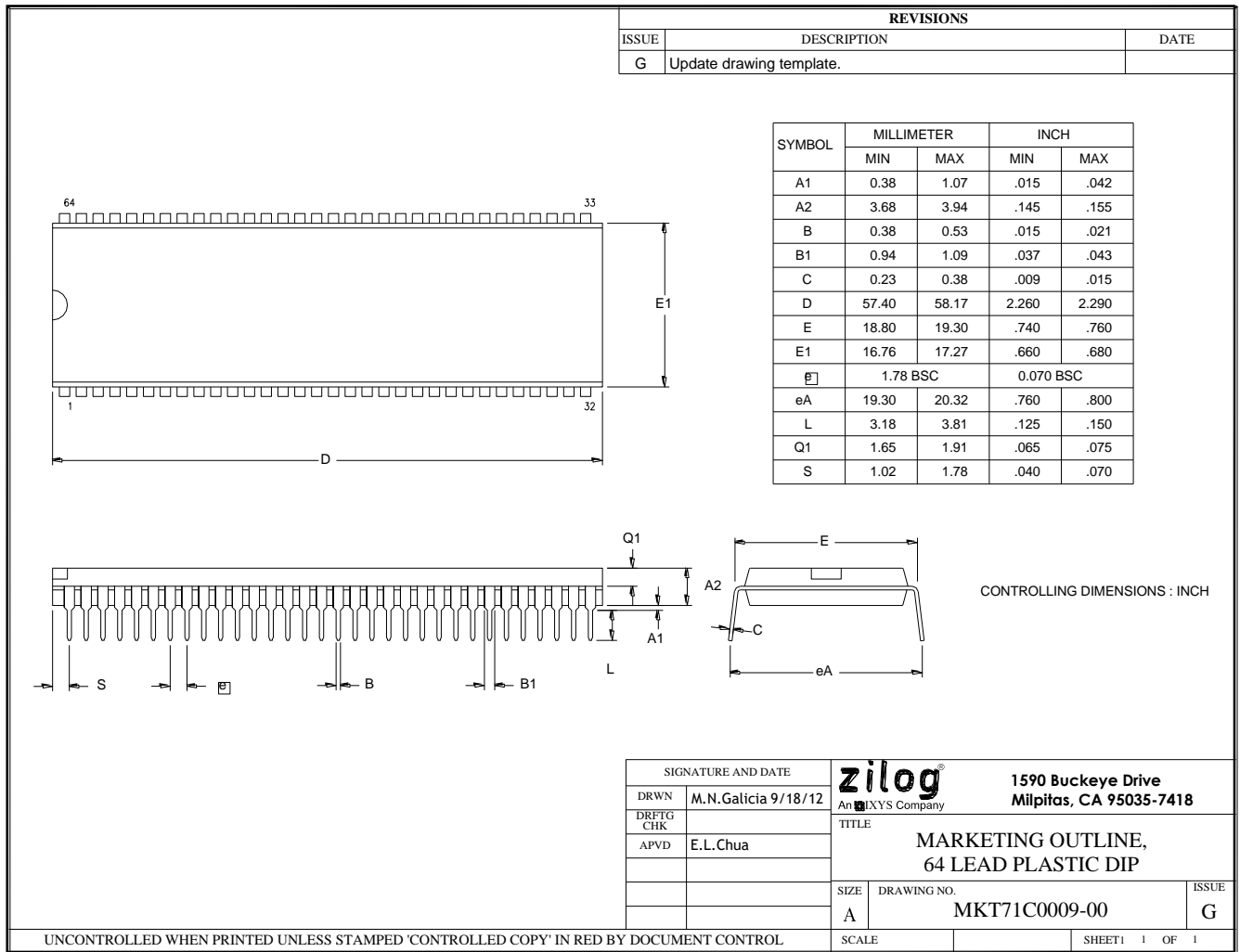


SIGNATURE AND DATE		 An IXYS Company	1590 Buckeye Drive Milpitas, CA 95035-7418	
DRWN	M.N.Galicia 9/18/12		TITLE	
DRFTG		MARKETING OUTLINE, 48 LEAD		
CHK		PLASTIC DIP		
APVD	E.L.Chua	SIZE	DRAWING NO.	ISSUE
		A	MKT71C0006-00	I

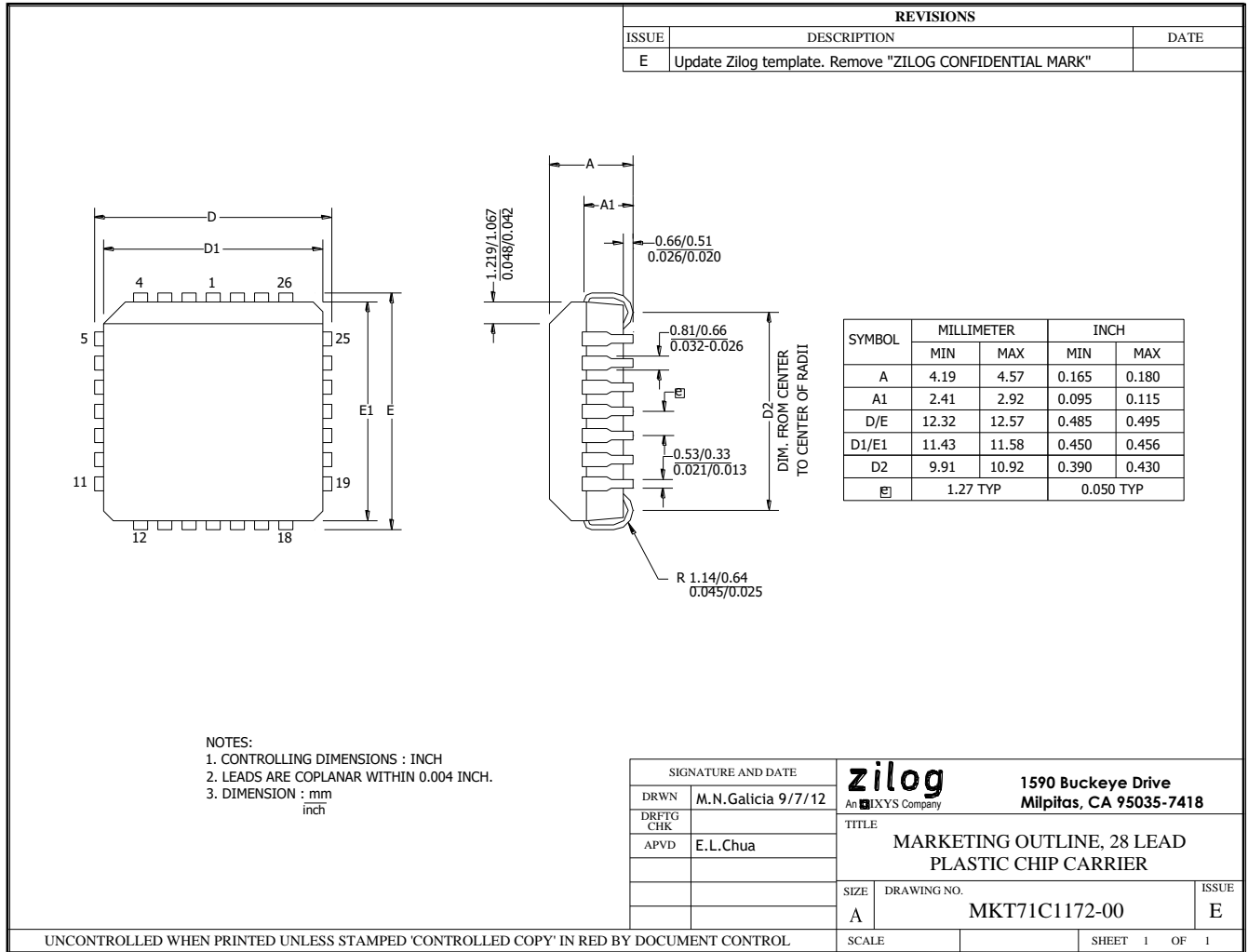
UNCONTROLLED WHEN PRINTED UNLESS STAMPED 'CONTROLLED COPY' IN RED BY DOCUMENT CONTROL

SCALE: SHEET 1 OF 1

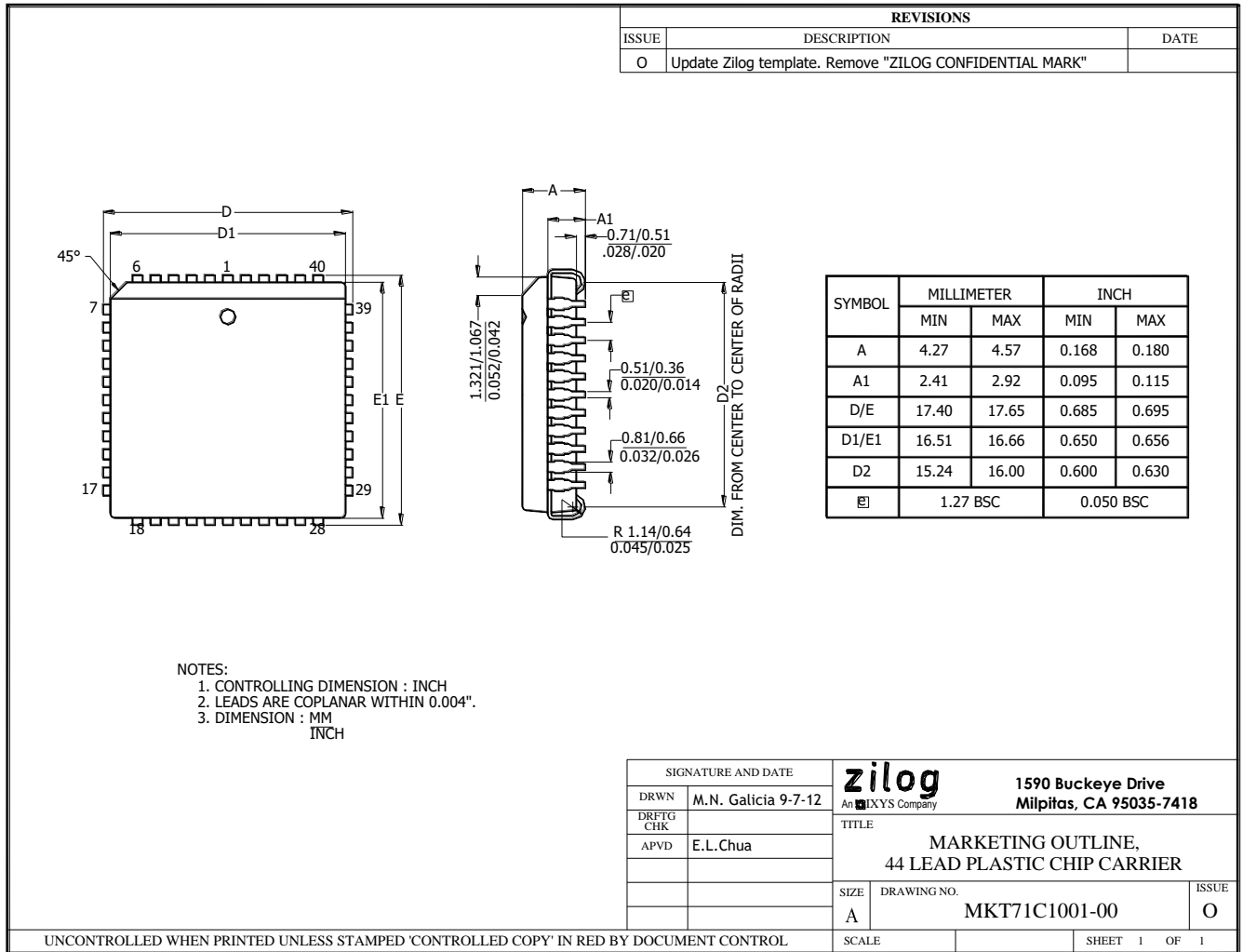
Marketing Outline, 64-Lead PDIP



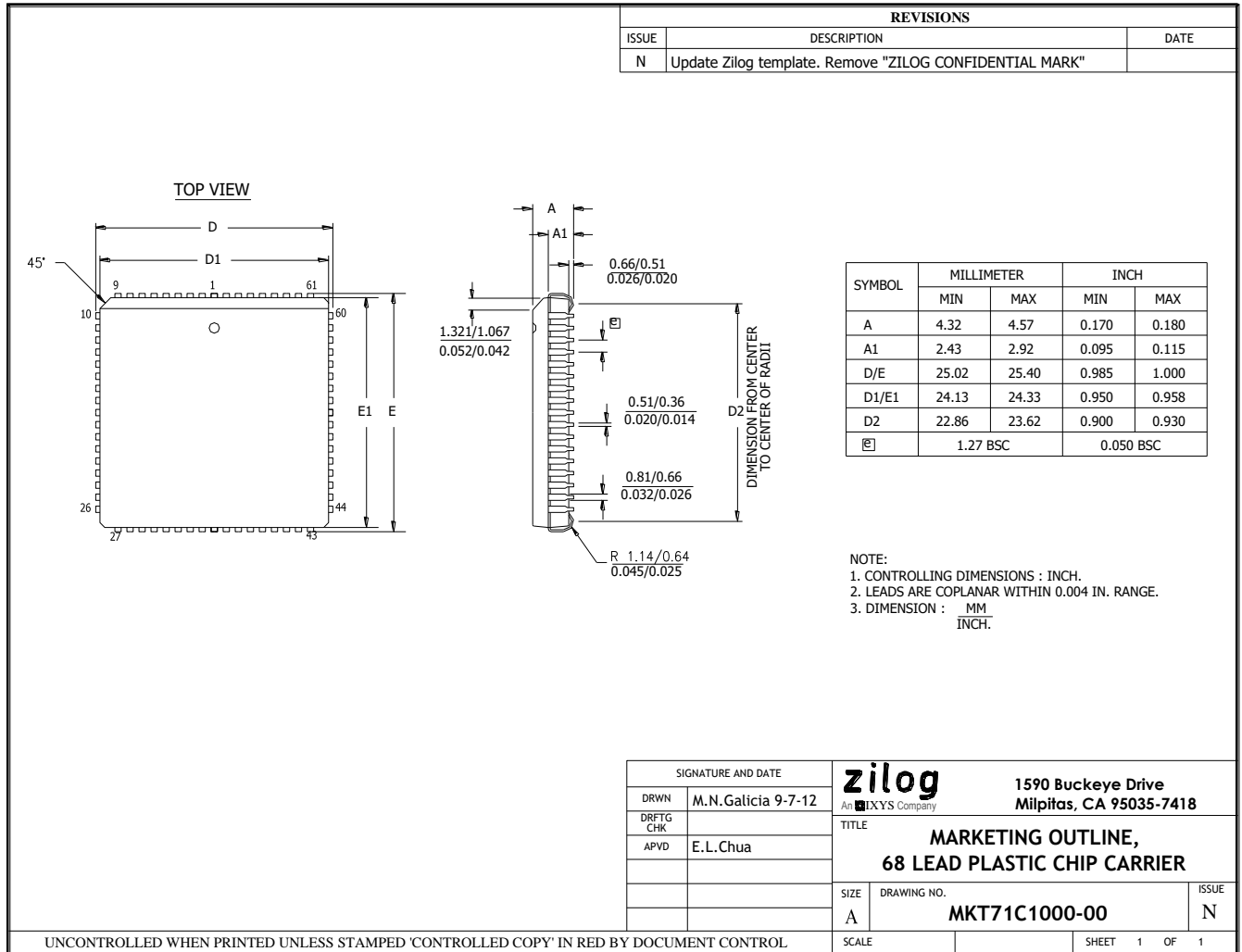
Marketing Outline, 28-Lead Plastic Chip Carrier



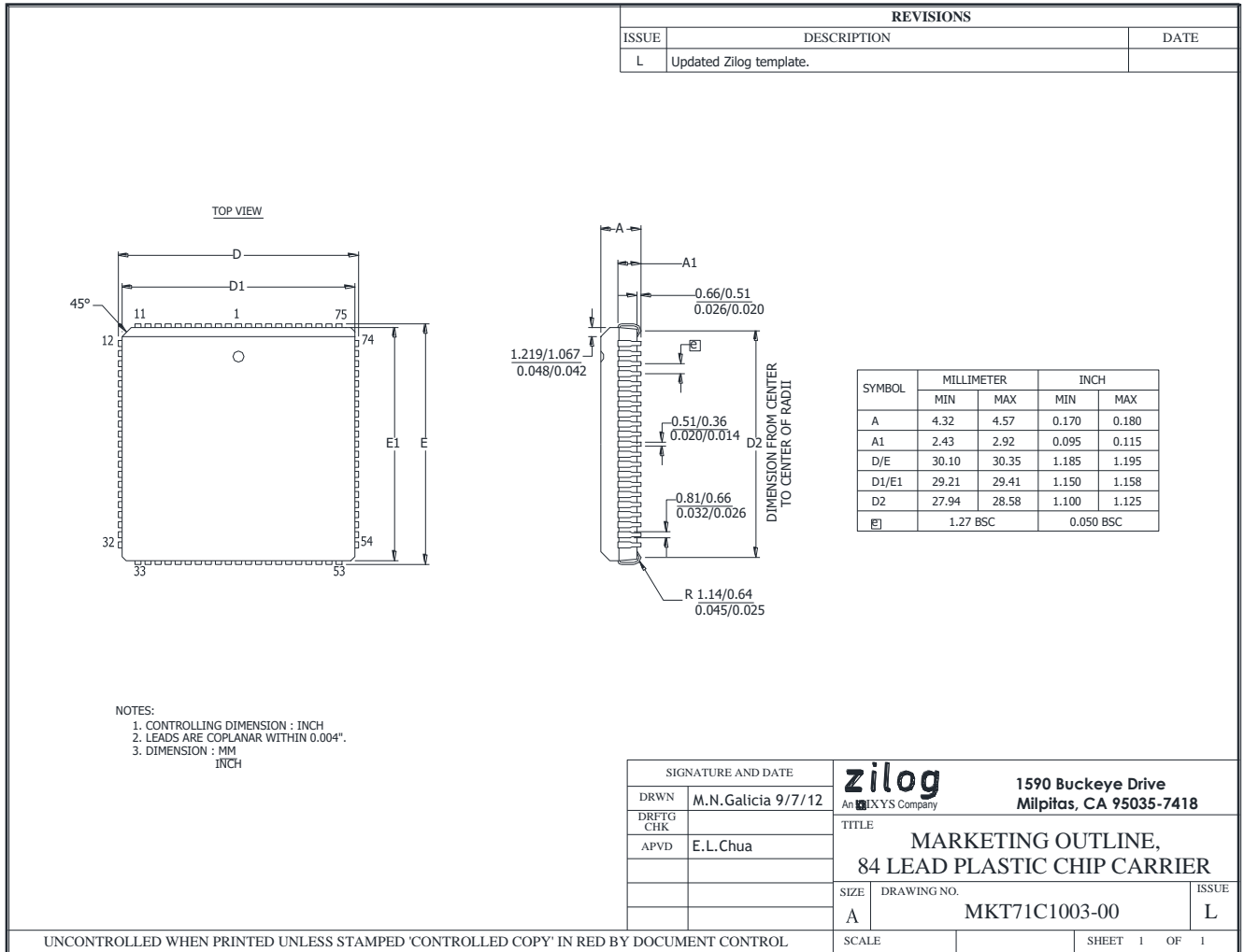
Marketing Outline, 44-Lead Plastic Chip Carrier



Marketing Outline, 68-Lead Plastic Chip Carrier



Marketing Outline, 84-Lead Plastic Chip Carrier



Marketing Outline, 80-Lead Plastic Quad Flatpack

REVISIONS				
ISSUE	DESCRIPTION	DATE		
O	Update Zilog template. Remove "ZILOG CONFIDENTIAL MARK".			

DETAIL A

SYMBOL	MILLIMETER		INCH	
	MIN	MAX	MIN	MAX
A1	0.10	0.38	0.004	0.015
A2	2.60	2.90	0.102	0.114
b	0.30	0.45	0.012	0.018
c	0.13	0.20	0.005	0.008
HD	23.70	24.15	0.933	0.951
D	19.90	20.10	0.783	0.791
HE	17.70	18.15	0.697	0.715
E	13.90	14.10	0.547	0.555
[e]	0.80 BSC		0.0315 BSC	
L	0.70	1.10	0.028	0.043

NOTES :
1. CONTROLLING DIMENSIONS : MILLIMETER
2. LEAD COPLANARITY :MAX 0.10,
0.004"

DETAIL A

SIGNATURE AND DATE		zilog <small>An IXYS Company</small>	1590 Buckeye Drive Milpitas, CA 95035-7418
DRWN	M.N.Galicia 9/7/12		
DRFTG CHK		MARKETING OUTLINE, 80 LEAD PLASTIC QUAD FLATPACK	
APVD	E.L.Chua	SIZE	ISSUE
		A	O
		DRAWING NO.	MKT71C1151-00
UNCONTROLLED WHEN PRINTED UNLESS STAMPED 'CONTROLLED COPY' IN RED BY DOCUMENT CONTROL		SCALE	SHEET 1 OF 1

Marketing Outline, 32-Lead LQFP

REVISIONS			
ISSUE	DESCRIPTION	DATE	
D	Update Zilog template. Remove "ZILLOG CONFIDENTIAL MARK".		

SYMBOL	MILLIMETER		INCH	
	MIN	MAX	MIN	MAX
A	1.40	1.60	0.055	0.063
A1	0.05	0.15	0.002	0.006
A2	1.35	1.45	0.053	0.057
b	0.30	0.45	0.012	0.018
c	0.09	0.20	0.004	0.008
HD	8.75	9.25	0.344	0.364
D	6.90	7.10	0.272	0.280
HE	8.75	9.25	0.344	0.364
E	6.90	7.10	0.272	0.280
□	0.80 BSC		0.031 BSC	
L	0.45	0.75	0.018	0.030
LE	1.00 REF		0.039 REF	

Detail A

1. CONTROLLING DIMENSIONS : mm
2. MAX. COPLANARITY : $\frac{0.10\text{mm}}{0.004''}$

SIGNATURE AND DATE		zilog An IXYS Company	1590 Buckeye Drive Milpitas, CA 95035-7418	
DRWN	M.N.Galicia 9/7/12		TITLE	
DRFTG CHK		MARKETING OUTLINE, 32 LQFP (7 x 7 X 14 mm)		
APVD	E.L.Chua	SIZE	DRAWING NO.	ISSUE
		A	MKT71C1202-00	D

UNCONTROLLED WHEN PRINTED UNLESS STAMPED 'CONTROLLED COPY' IN RED BY DOCUMENT CONTROL

Marketing Outline, 44-Lead LQFP

REVISIONS		
ISSUE	DESCRIPTION	DATE
F	Update Zilog template. Remove "ZILOG CONFIDENTIAL MARK".	

SYMBOL	MILLIMETER		INCH	
	MIN	MAX	MIN	MAX
A	1.40	1.60	0.055	0.063
A1	0.05	0.15	0.002	0.006
A2	1.35	1.45	0.053	0.057
b	0.30	0.45	0.012	0.018
c	0.09	0.20	0.004	0.008
HD	11.75	12.25	0.463	0.482
D	9.90	10.10	0.390	0.398
HE	11.75	12.25	0.463	0.482
E	9.90	10.10	0.390	0.398
Ⓜ	0.80 BSC		0.031 BSC	
L	0.45	0.75	0.018	0.030
LE	1.00 REF		0.039 REF	

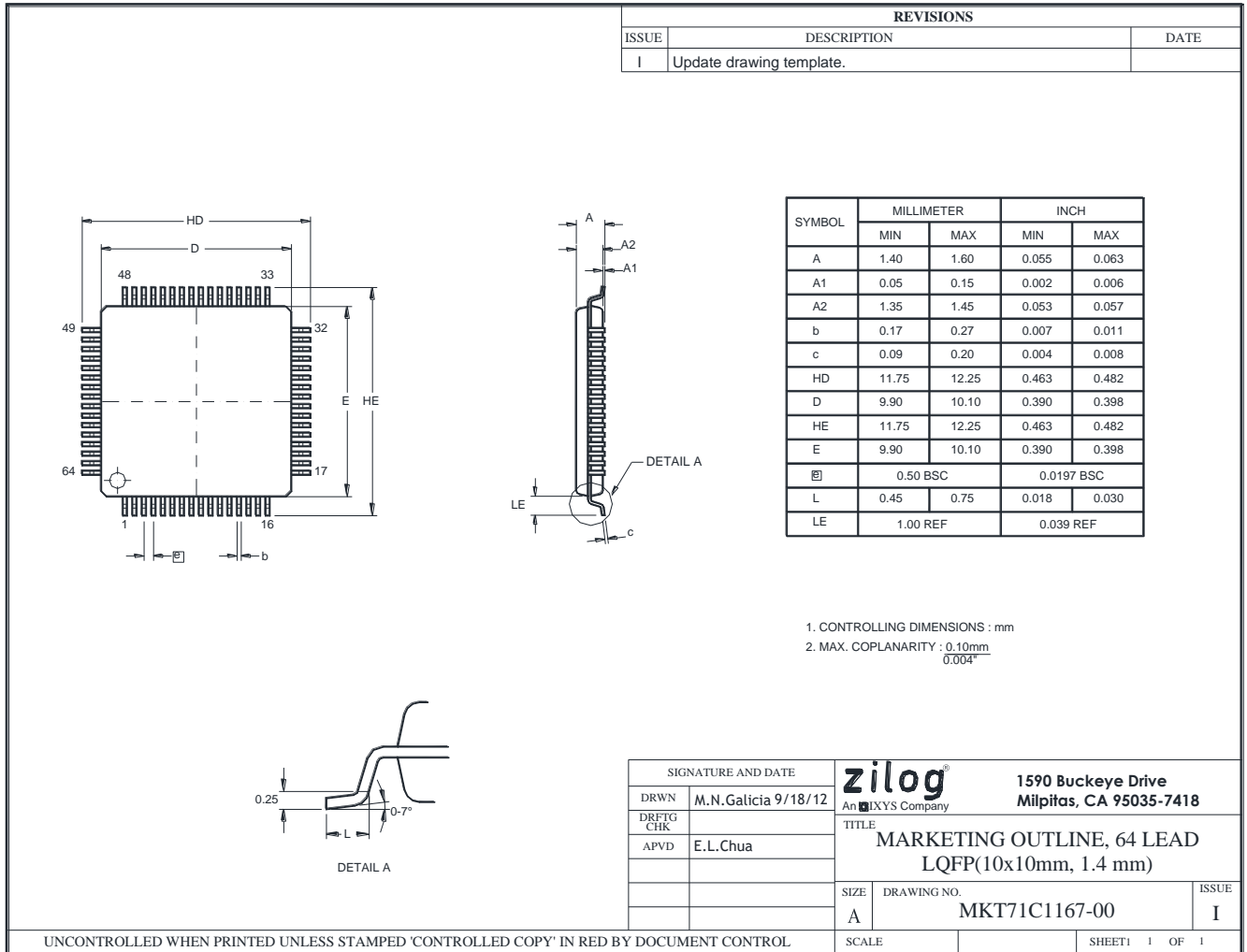
1. CONTROLLING DIMENSIONS : mm
 2. MAX. COPLANARITY : .10mm
 0.004"

DETAIL A

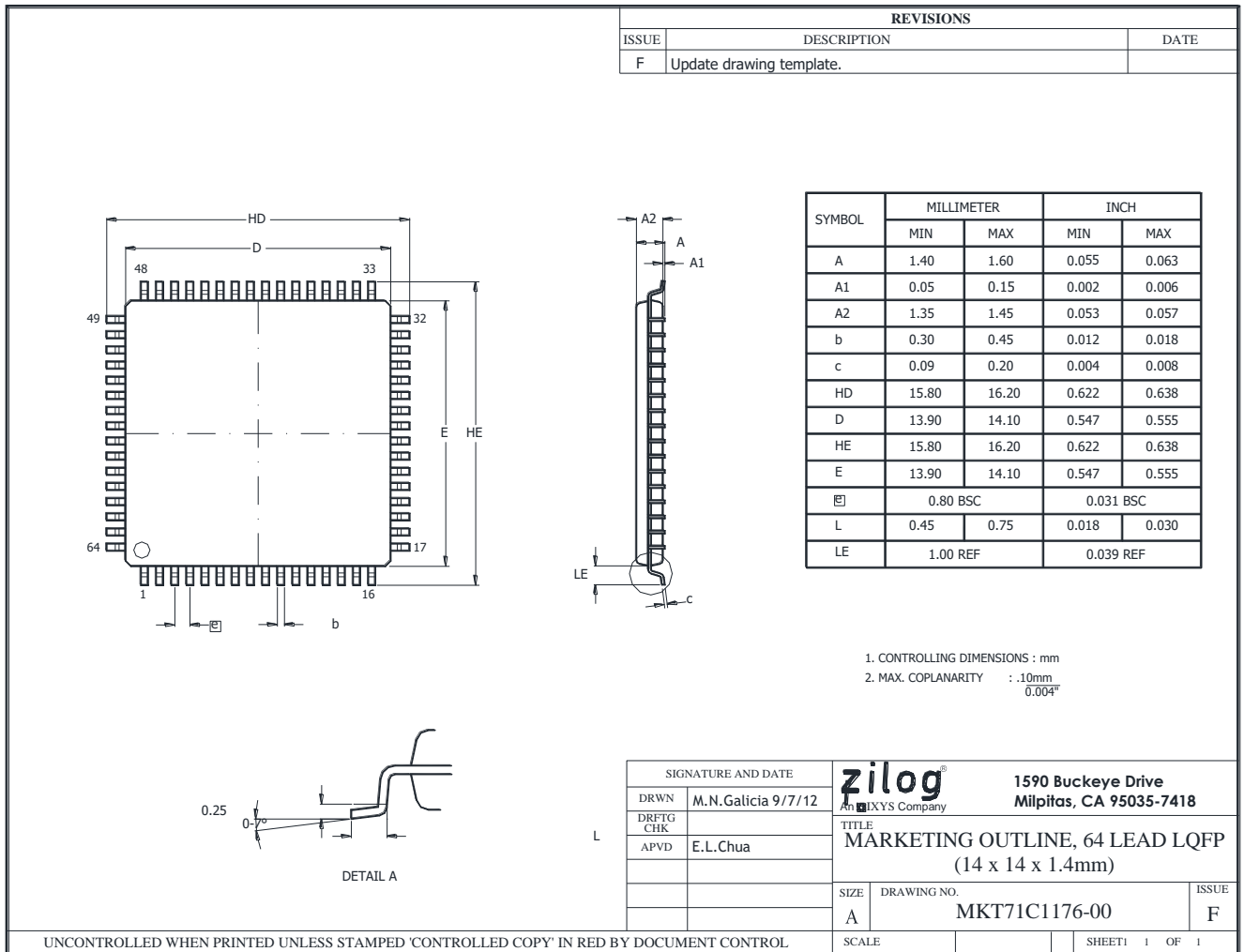
SIGNATURE AND DATE		zilog <small>An IXYS Company</small>	1590 Buckeye Drive Milpitas, CA 95035-7418	
DRWN	M.N. Galicia 9/7/12			TITLE MARKETING OUTLINE, 44 LEAD LQFP (10 x 10 x 1.4 mm)
DRFTG CHK				
APVD	E.L.Chua	SIZE	DRAWING NO.	ISSUE
		A	MKT71C1182-00	F
		SCALE		SHEET 1 OF 1

UNCONTROLLED WHEN PRINTED UNLESS STAMPED 'CONTROLLED COPY' IN RED BY DOCUMENT CONTROL

Marketing Outline, 64-Lead LQFP (10X10mm)

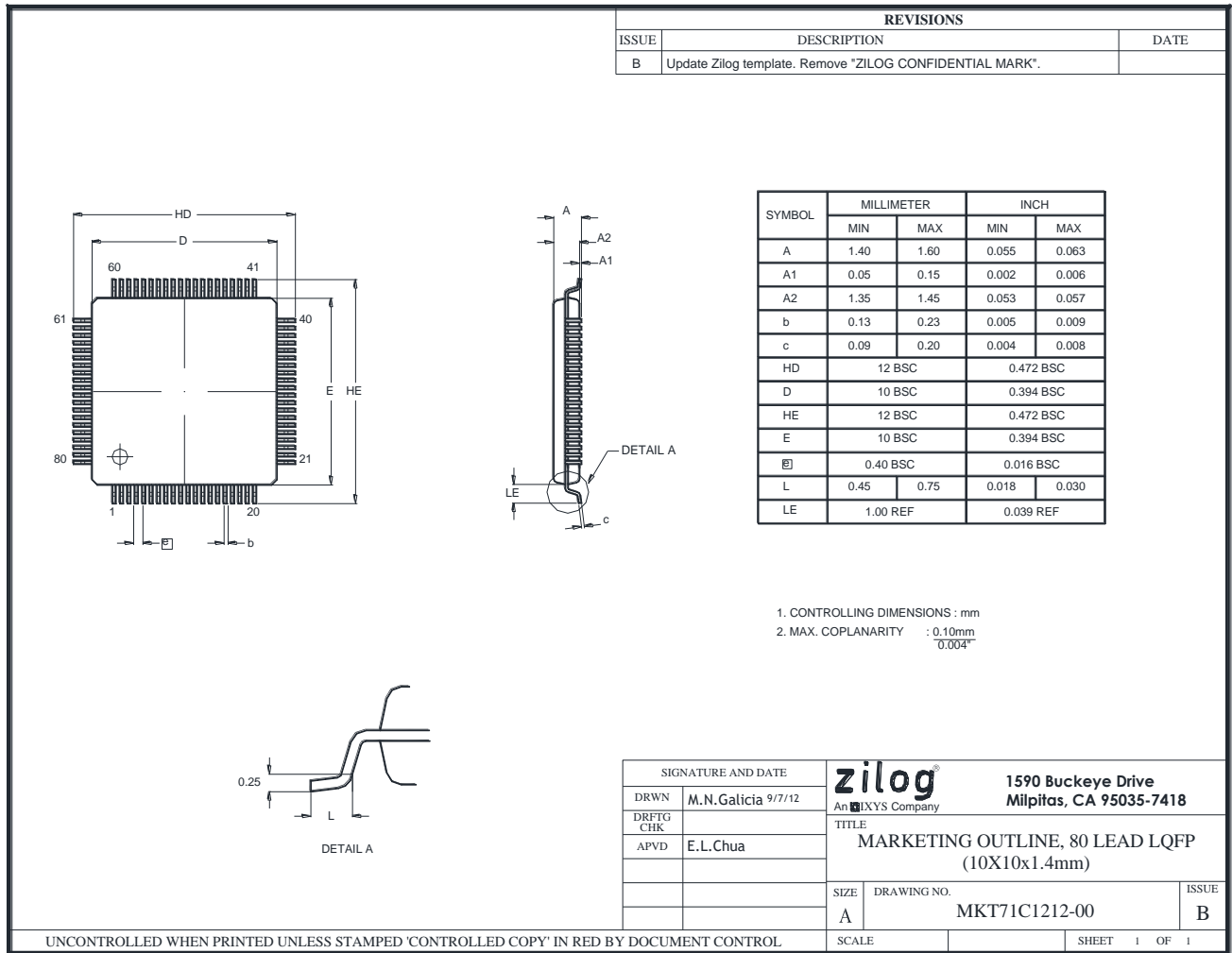


Marketing Outline, 64-Lead LQFP (14X14mm)

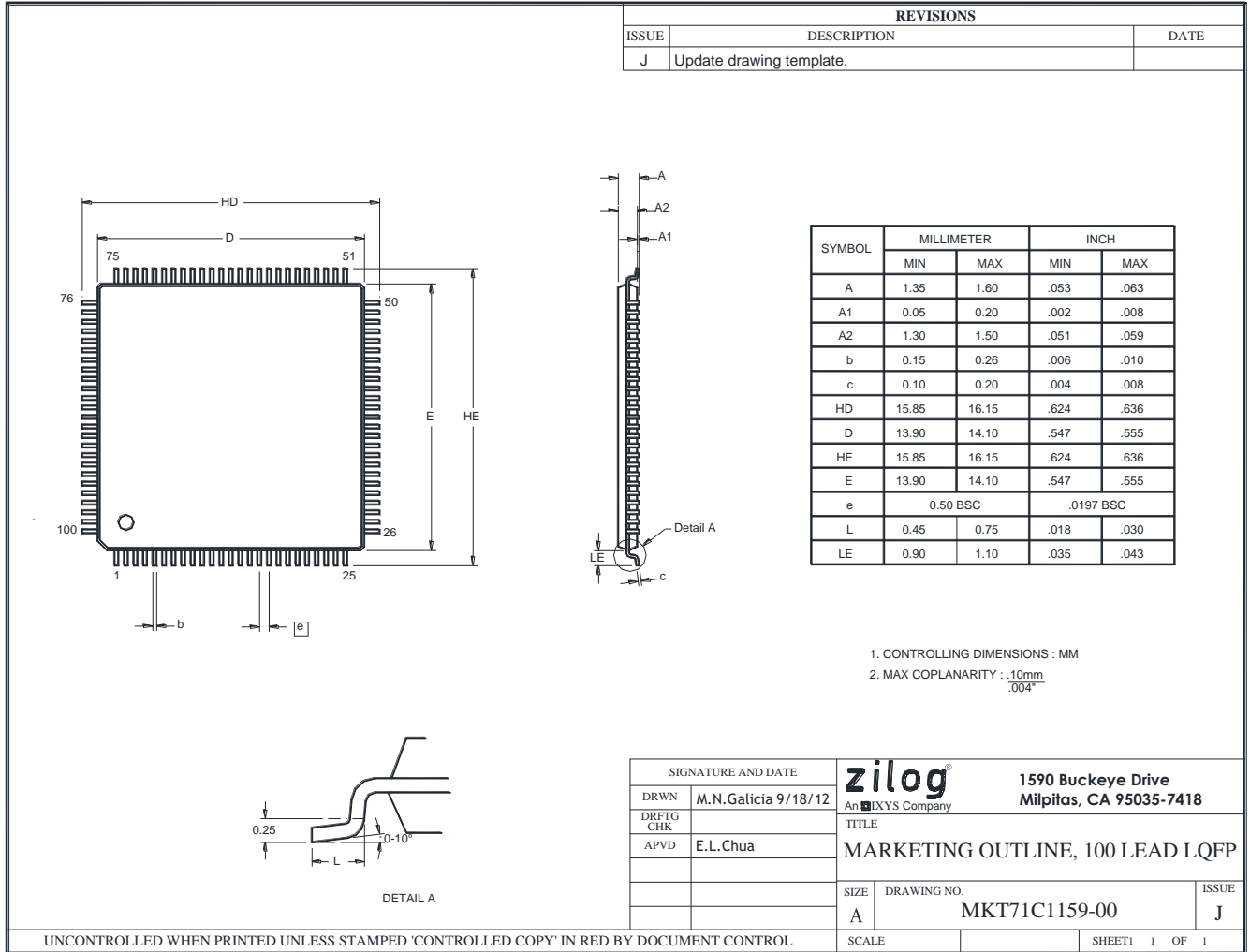


UNCONTROLLED WHEN PRINTED UNLESS STAMPED 'CONTROLLED COPY' IN RED BY DOCUMENT CONTROL

Marketing Outline, 80-Lead LQFP

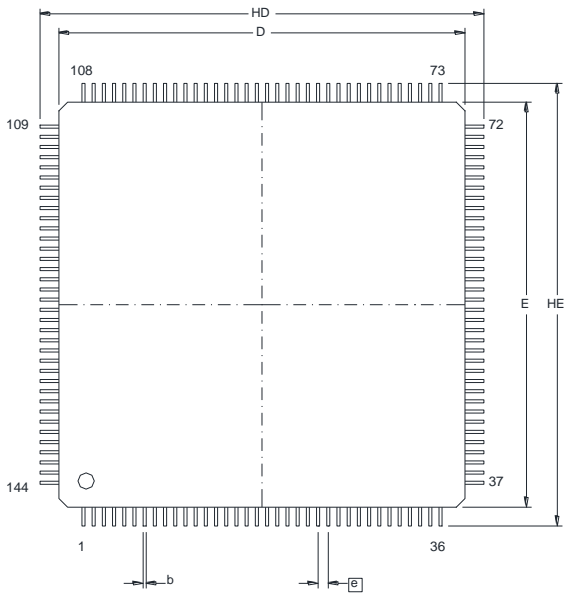


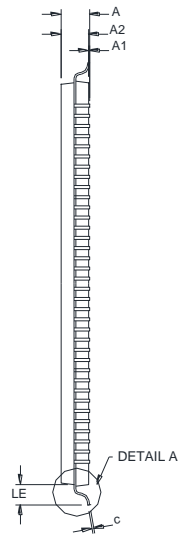
Marketing Outline, 100-Lead LQFP



Marketing Outline, 144-Lead LQFP

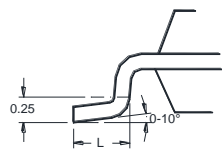
REVISIONS			
ISSUE	DESCRIPTION	DATE	
E	Update drawing template.		






SYMBOL	MILLIMETER		INCH	
	MIN	MAX	MIN	MAX
A	1.40	1.60	0.055	0.063
A1	0.05	0.15	0.002	0.006
A2	1.35	1.45	0.053	0.057
b	0.17	0.27	0.007	0.011
c	0.09	0.20	0.004	0.008
HD	21.75	22.25	0.856	0.876
D	19.90	20.10	0.783	0.791
HE	21.75	22.25	0.856	0.876
E	19.90	20.10	0.783	0.791
[E]	0.50 BSC		0.020 BSC	
L	0.45	0.75	0.018	0.030
LE	1.00 REF		.039 REF	

CONTROLLING DIMENSIONS : MM
 MAX COPLANARITY : .10mm
 .004"



DETAIL A

SIGNATURE AND DATE		 An IXYS Company	1590 Buckeye Drive Milpitas, CA 95035-7418		
DRWN	M.N.Galicia 9/18/12		TITLE		
DRFTG CHK	E.L.Chua		MARKETING OUTLINE, 144 LEAD LQFP		
APVD		SIZE	DRAWING NO.	ISSUE	
		A	MKT71C1173-00	E	

UNCONTROLLED WHEN PRINTED UNLESS STAMPED 'CONTROLLED COPY' IN RED BY DOCUMENT CONTROL

Marketing Outline, 8-Lead SOIC

REVISIONS		
ISSUE	DESCRIPTION	DATE
E	Update drawing template	

Top view showing dimensions D (width), E (height), and lead numbers 1 through 8.

Side view showing dimensions H (total height), h (lead height), and a lead angle of $h \times 45^\circ$.

Bottom view showing dimensions A, A1, A2, and B. A SEATING PLANE is indicated.

SYMBOL	MILLIMETER		INCH	
	MIN	MAX	MIN	MAX
A	1.55	1.73	0.061	0.068
A1	0.10	0.25	0.004	0.010
A2	1.40	1.55	0.055	0.061
B	0.36	0.48	0.014	0.019
C	0.18	0.25	0.007	0.010
D	4.80	4.98	0.189	0.196
E	3.81	3.99	0.150	0.157
Ⓜ	1.27 BSC		.050 BSC	
H	5.84	6.15	0.230	0.242
h	0.25	0.40	0.010	0.016
L	0.41	0.89	0.016	0.035

CONTROLLING DIMENSIONS : MM
LEADS ARE COPLANAR WITHIN .004 INCH.

DETAIL A: Close-up of the lead profile showing dimensions 0.25, L, and a $0-8^\circ$ angle.

SIGNATURE AND DATE		zilog [®] An IXYS Company	1590 Buckeye Drive Milpitas, CA 95035-7418
DRWN	M.N.Galicia 9/18/12		
DRFTG		MARKETING OUTLINE, 8 LEAD SOIC	
CHK		SIZE	DRAWING NO.
APVD	E.L.Chua	A	MKT71C1178-00
			ISSUE
			E

UNCONTROLLED WHEN PRINTED UNLESS STAMPED 'CONTROLLED COPY' IN RED BY DOCUMENT CONTROL

Marketing Outline, 18-Lead SOIC

REVISIONS				
ISSUE	DESCRIPTION	DATE		
L	Update drawing template.			

SYMBOL	MILLIMETER		INCH	
	MIN	MAX	MIN	MAX
A	2.40	2.65	0.094	0.104
A1	0.10	0.30	0.004	0.012
A2	2.24	2.44	0.088	0.096
B	0.36	0.46	0.014	0.018
C	0.23	0.30	0.009	0.012
D	11.40	11.75	0.449	0.463
E	7.40	7.60	0.291	0.299
Ⓜ	1.27 BSC		0.050 BSC	
H	10.00	10.65	0.394	0.419
h	0.30	0.64	0.012	0.025
L	0.60	1.00	0.024	0.039
Q1	0.97	1.07	0.038	0.042

CONTROLLING DIMENSIONS : MM
LEADS ARE COPLANAR WITHIN .004 INCH.

SIGNATURE AND DATE		 An IXYS Company 1590 Buckeye Drive Milpitas, CA 95035-7418
DRWN	M.N.Galicia 9/7/12	
DWG CHK		
APVD	E.L.Chua	
		TITLE
		MARKETING OUTLINE, 18L SOIC
SIZE	DRAWING NO.	ISSUE
A	MKT71C1156-00	L
SCALE		SHEET 1 OF 1

UNCONTROLLED WHEN PRINTED UNLESS STAMPED 'CONTROLLED COPY' IN RED BY DOCUMENT CONTROL

Marketing Outline, 20-Lead SOIC

REVISIONS		
ISSUE	DESCRIPTION	DATE
H	Update drawing template	

OPTIONAL P1 IDENTIFIER

DETAIL A

SYMBOL	MILLIMETER		INCH	
	MIN	MAX	MIN	MAX
A	2.36	2.65	0.093	0.104
A1	0.10	0.30	0.004	0.012
A2	2.24	2.44	0.088	0.096
B	0.33	0.51	0.013	0.020
C	0.23	0.33	0.009	0.013
D	12.60	13.00	0.496	0.512
E	7.40	7.60	0.291	0.299
Ⓜ	1.27 BSC		0.050 BSC	
H	10.00	10.65	0.394	0.419
h	0.25	0.76	0.010	0.030
L	0.60	1.00	0.024	0.039
Q1	0.97	1.07	0.038	0.042

CONTROLLING DIMENSIONS : MM
LEADS ARE COPLANAR WITHIN .004 INCH.

SEATING PLANE

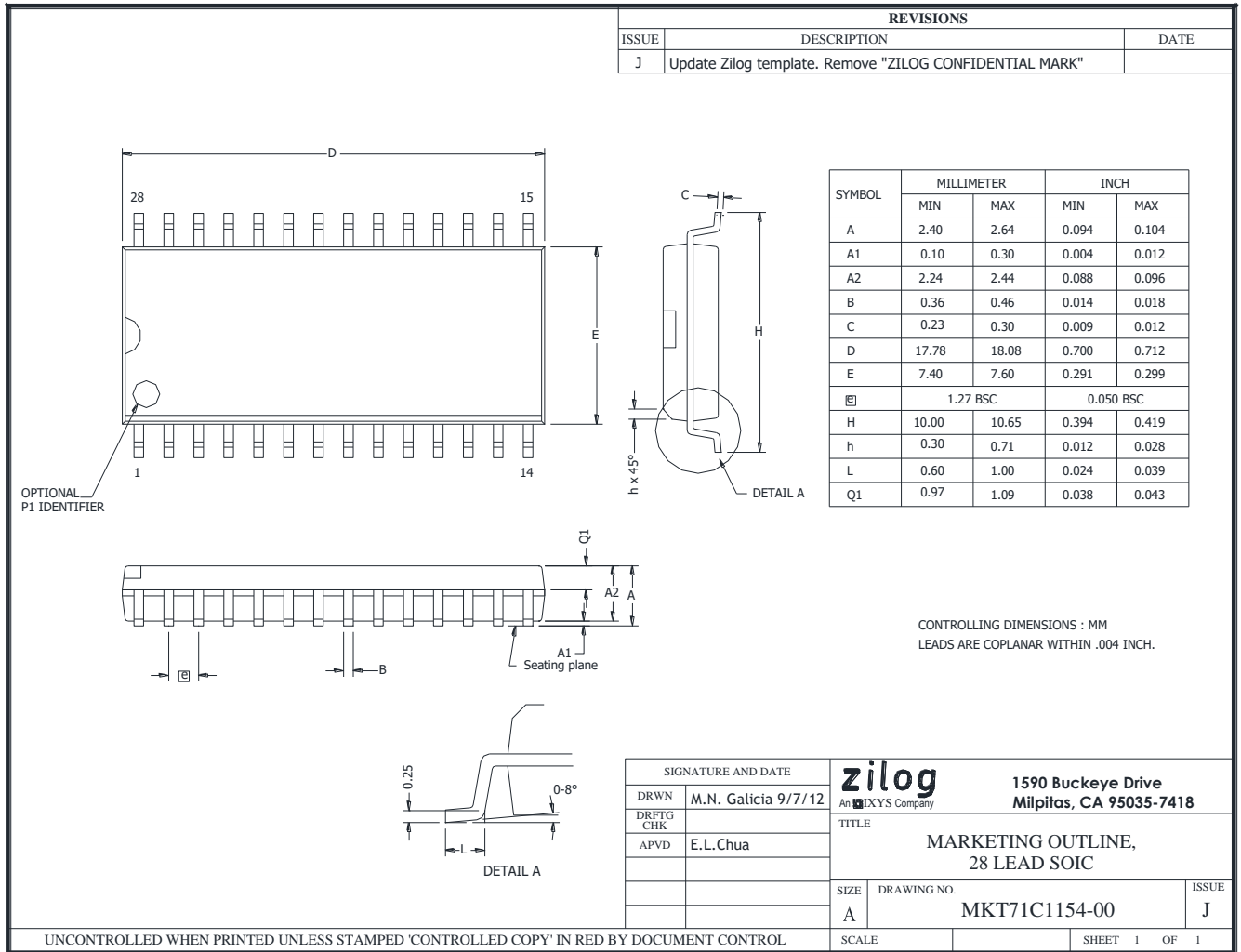
DETAIL A

SIGNATURE AND DATE		zilog [®] An IXYS Company	1590 Buckeye Drive Milpitas, CA 95035-7418
DRWN	M.N.Galicia 9/15/12		
DRFTG CHK		MARKETING OUTLINE, 20 LEAD SOIC	
APVD	E.L.Chua	SIZE	DRAWING NO.
		A	MKT71C1164-00
			ISSUE
			H

UNCONTROLLED WHEN PRINTED UNLESS STAMPED 'CONTROLLED COPY' IN RED BY DOCUMENT CONTROL

SCALE _____ SHEET 1 OF 1

Marketing Outline, 28-Lead SOIC



Marketing Outline, 20-Lead SSOP

REVISIONS		
ISSUE	DESCRIPTION	DATE
G	Update drawing template.	

DETAIL A

SYMBOL	MILLIMETER			INCH		
	MIN	NOM	MAX	MIN	NOM	MAX
A	1.73	1.85	1.98	0.068	0.073	0.078
A1	0.05	0.13	0.21	0.002	0.005	0.008
A2	1.68	1.73	1.83	0.066	0.068	0.072
B	0.25	0.30	0.38	0.010	0.012	0.015
C	0.13	0.15	0.22	0.005	0.006	0.009
D	7.07	7.20	7.33	0.278	0.283	0.289
E	5.20	5.30	5.38	0.205	0.209	0.212
Ⓜ	0.65 BSC			0.0256 BSC		
H	7.65	7.80	7.90	0.301	0.307	0.311
L	0.55	0.75	0.95	0.022	0.030	0.037
Q1	0.74	0.78	0.82	0.029	0.031	0.032

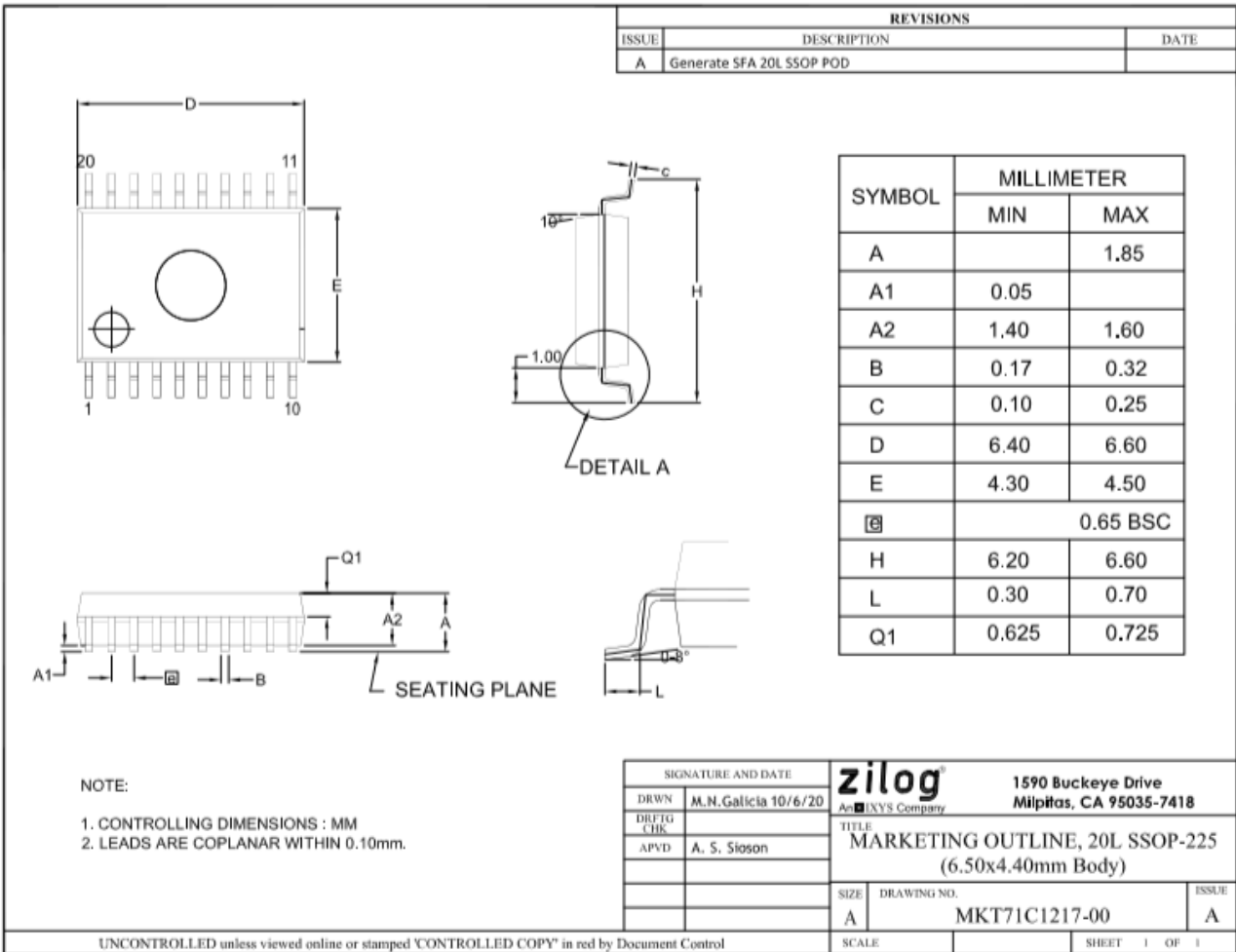
DETAIL A

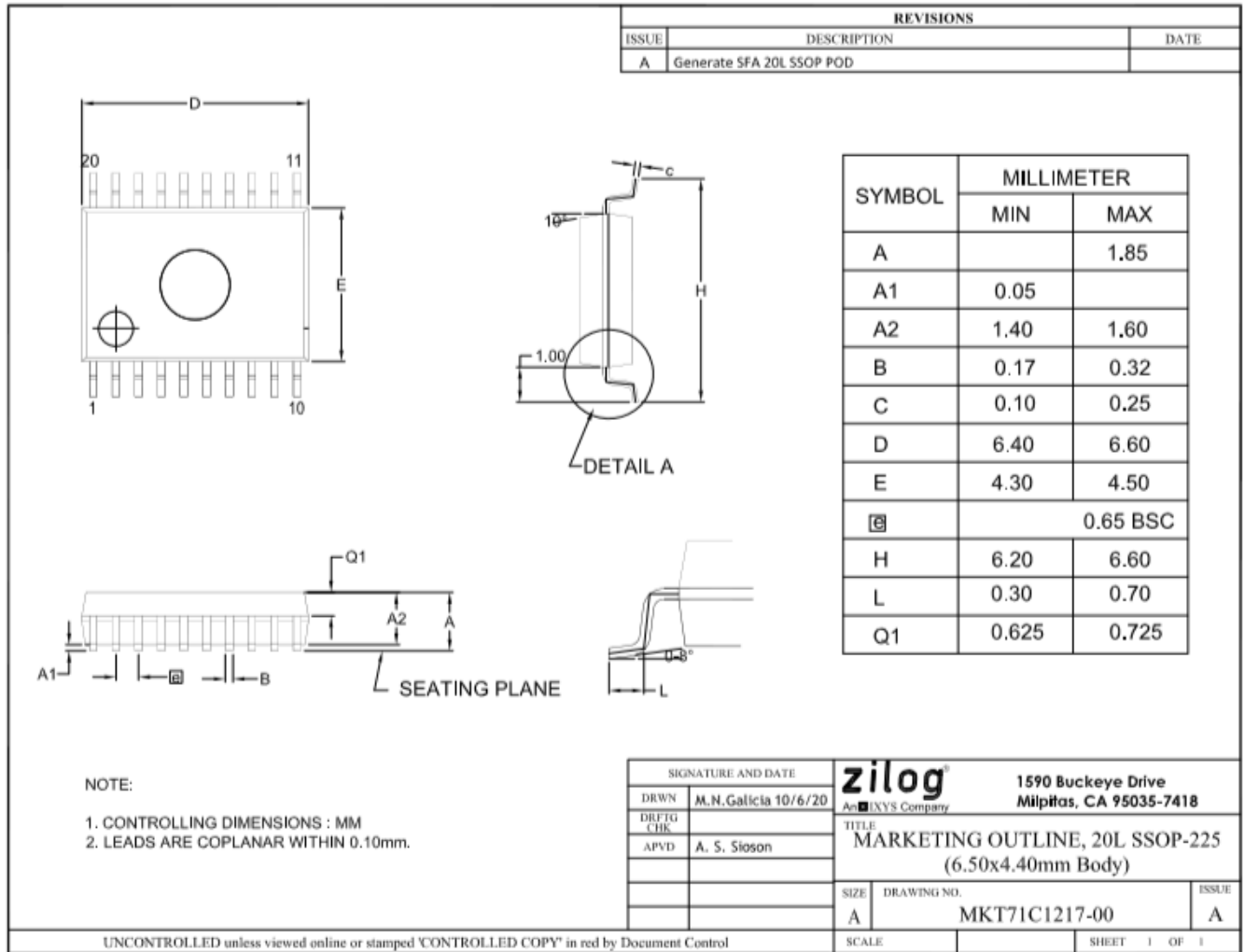
CONTROLLING DIMENSIONS : MM
LEADS ARE COPLANAR WITHIN .004 INCH.

SIGNATURE AND DATE		zilog [®] An IXYS Company	1590 Buckeye Drive Milpitas, CA 95035-7418
DRWN	M.N.Galicia 9/18/12		
DRFTG CHK		TITLE	
APVD	E.L.Chua	MARKETING OUTLINE, 20 LEAD SSOP	
		SIZE	DRAWING NO.
		A	MKT71C1168-00
			ISSUE
			G

UNCONTROLLED WHEN PRINTED UNLESS STAMPED 'CONTROLLED COPY' IN RED BY DOCUMENT CONTROL

Marketing Outline, 20-Lead SSOP-225 (6.5x4.40mm)





Marketing Outline, 28-Lead SSOP

REVISIONS		
ISSUE	DESCRIPTION	DATE
E	Update drawing template.	

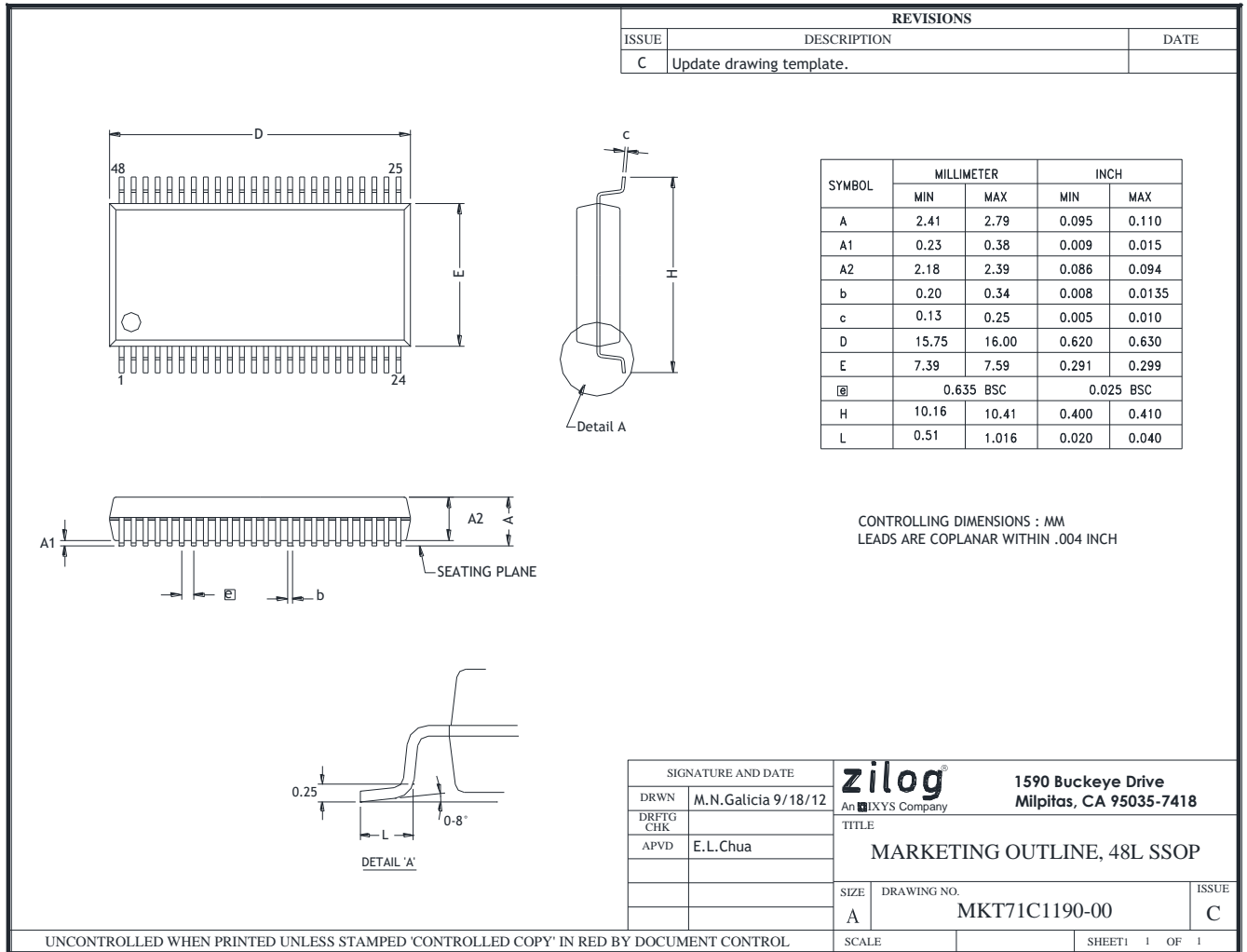
SYMBOL	MILLIMETER			INCH		
	MIN	NOM	MAX	MIN	NOM	MAX
A	1.73	1.86	1.99	0.068	0.073	0.078
A1	0.05	0.13	0.21	0.002	0.005	0.008
A2	1.68	1.73	1.78	0.066	0.068	0.070
B	0.25		0.38	0.010		0.015
C	0.09	-	0.20	0.004	0.006	0.008
D	10.07	10.20	10.33	0.397	0.402	0.407
E	5.20	5.30	5.38	0.205	0.209	0.212
Ⓜ	0.65 TYP			0.0256 TYP		
H	7.65	7.80	7.90	0.301	0.307	0.311
L	0.63	0.75	0.95	0.025	0.030	0.037

CONTROLLING DIMENSIONS : MM
LEADS ARE COPLANAR WITHIN .004 INCH.

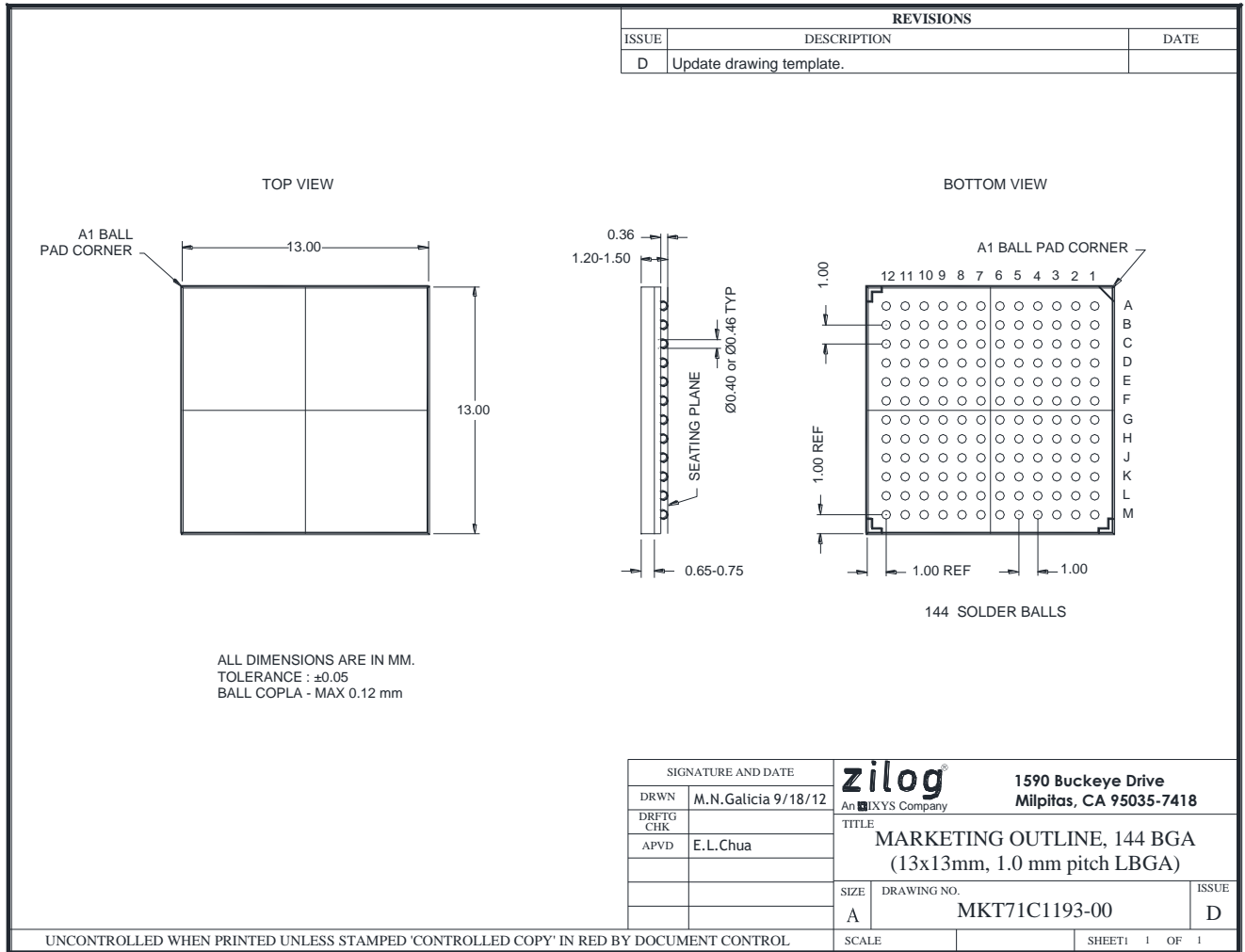
SIGNATURE AND DATE		zilog [®] An IXYS Company	1590 Buckeye Drive Milpitas, CA 95035-7418	
DRWN	M.N.Galicia 9/7/12		TITLE	
DRFTG CHK		MARKETING OUTLINE, 28 LEAD SSOP		
APVD	E.L.Chua	SIZE	DRAWING NO.	ISSUE
		A	MKT71C1180-00	E

UNCONTROLLED WHEN PRINTED UNLESS STAMPED 'CONTROLLED COPY' IN RED BY DOCUMENT CONTROL

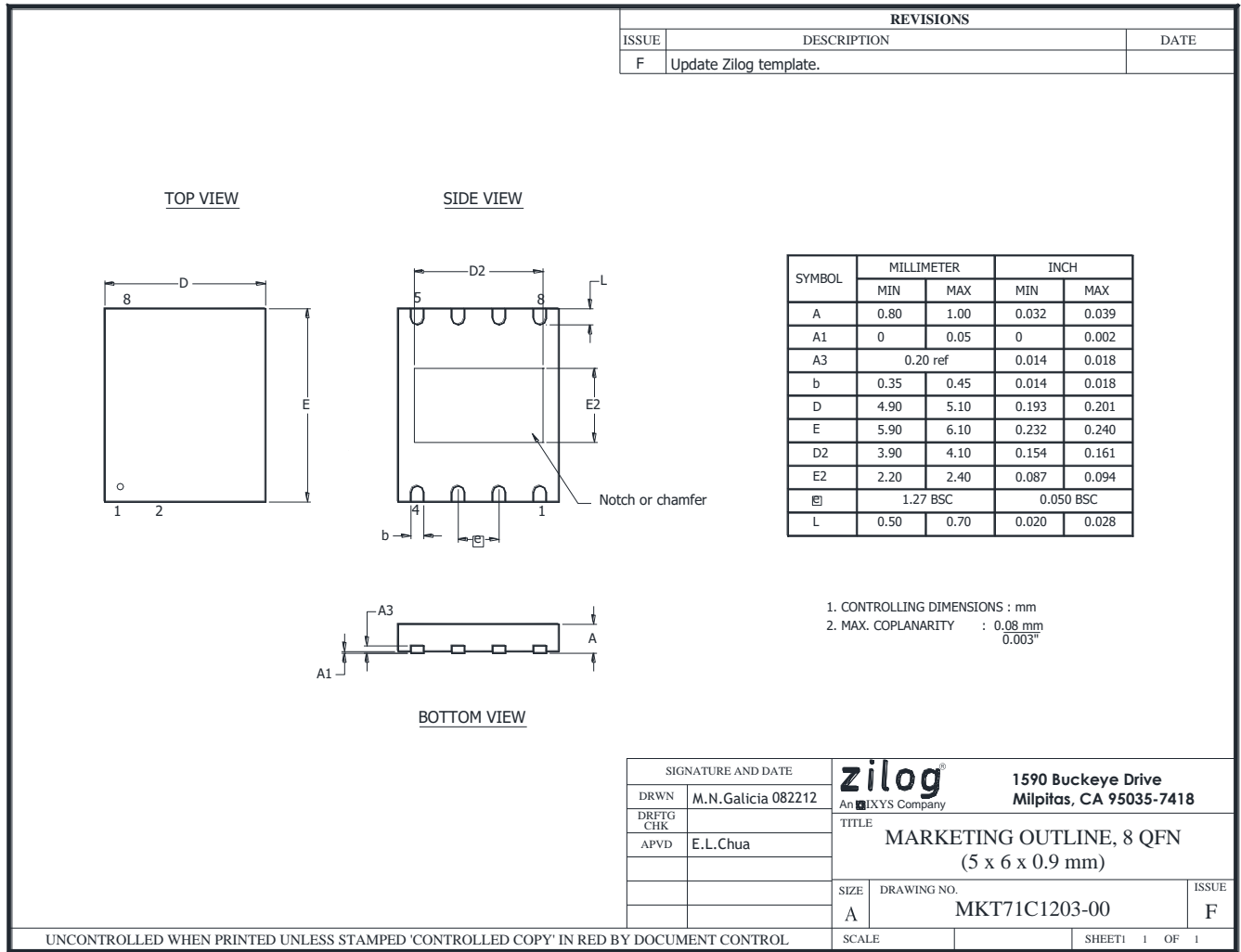
Marketing Outline, 48-Lead SSOP



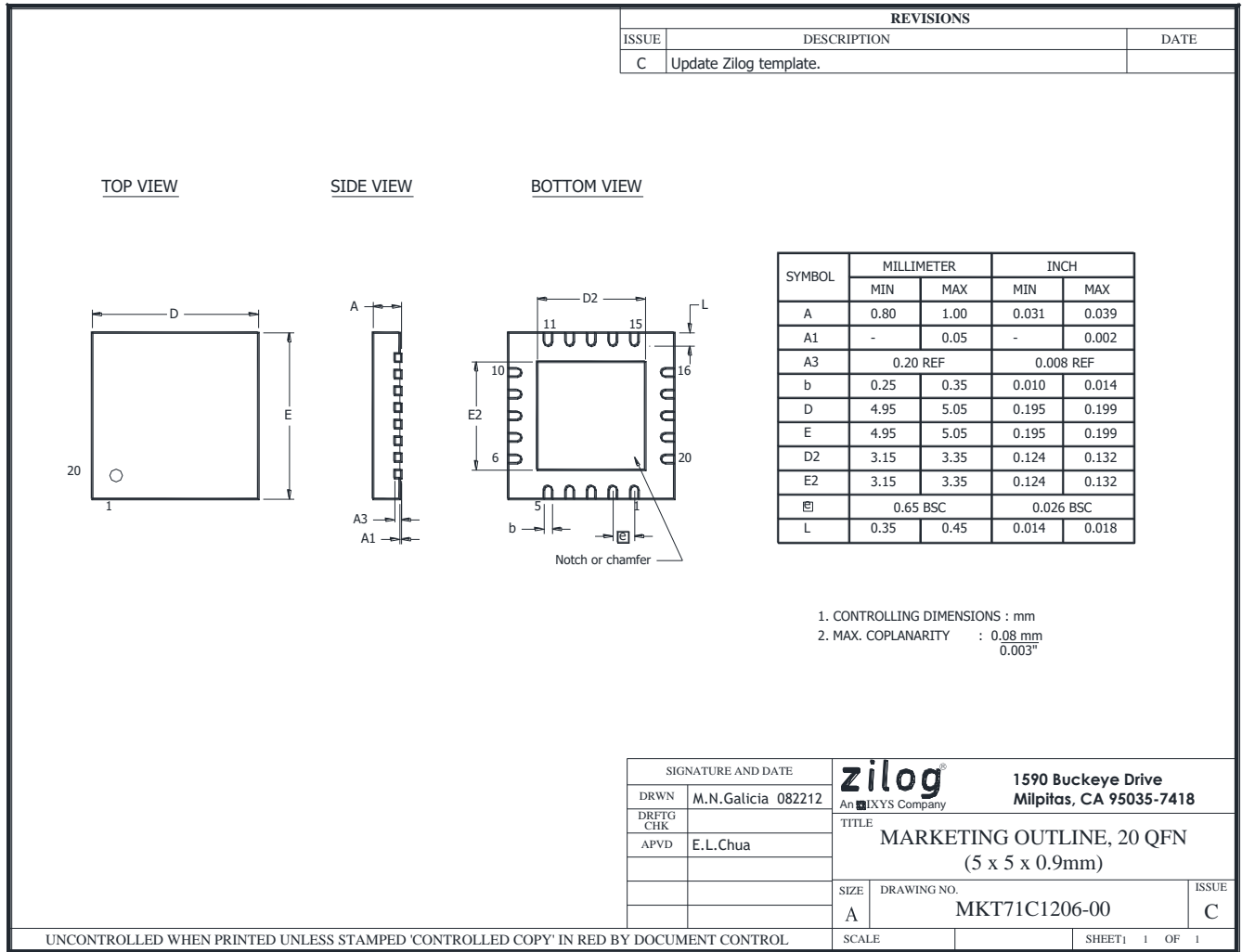
Marketing Outline, 144-Lead BGA



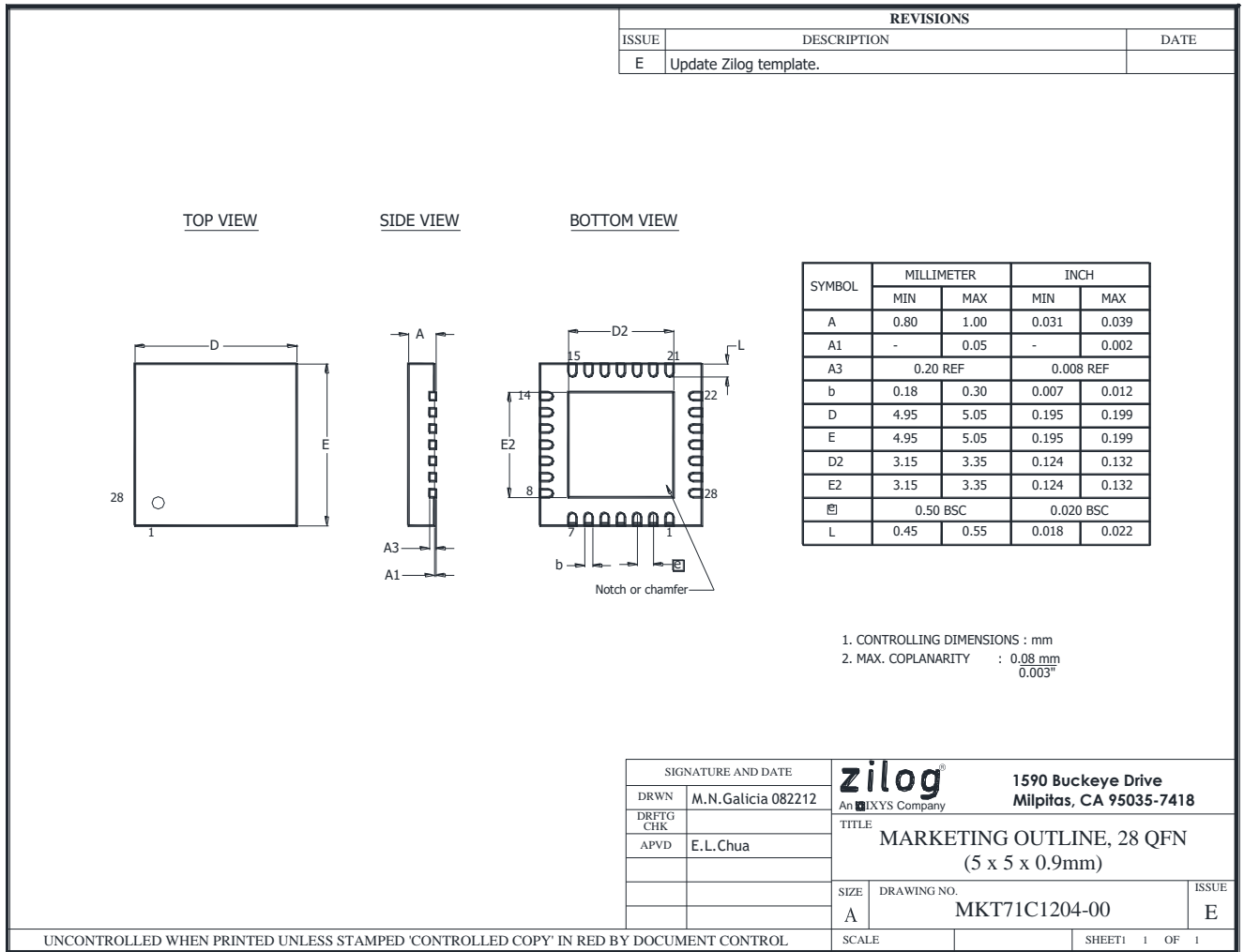
Marketing Outline, 8-Lead QFN



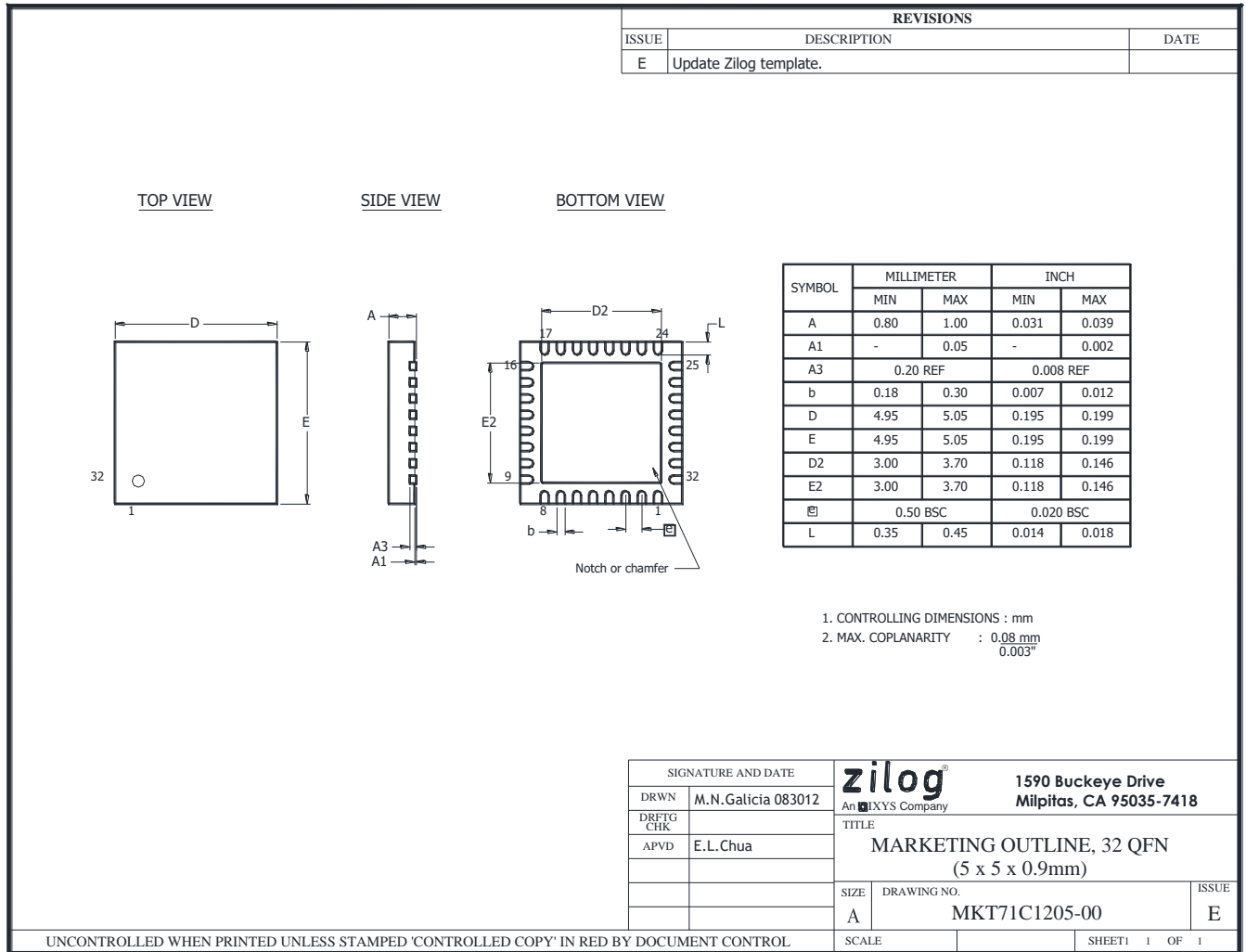
Marketing Outline, 20-Lead QFN



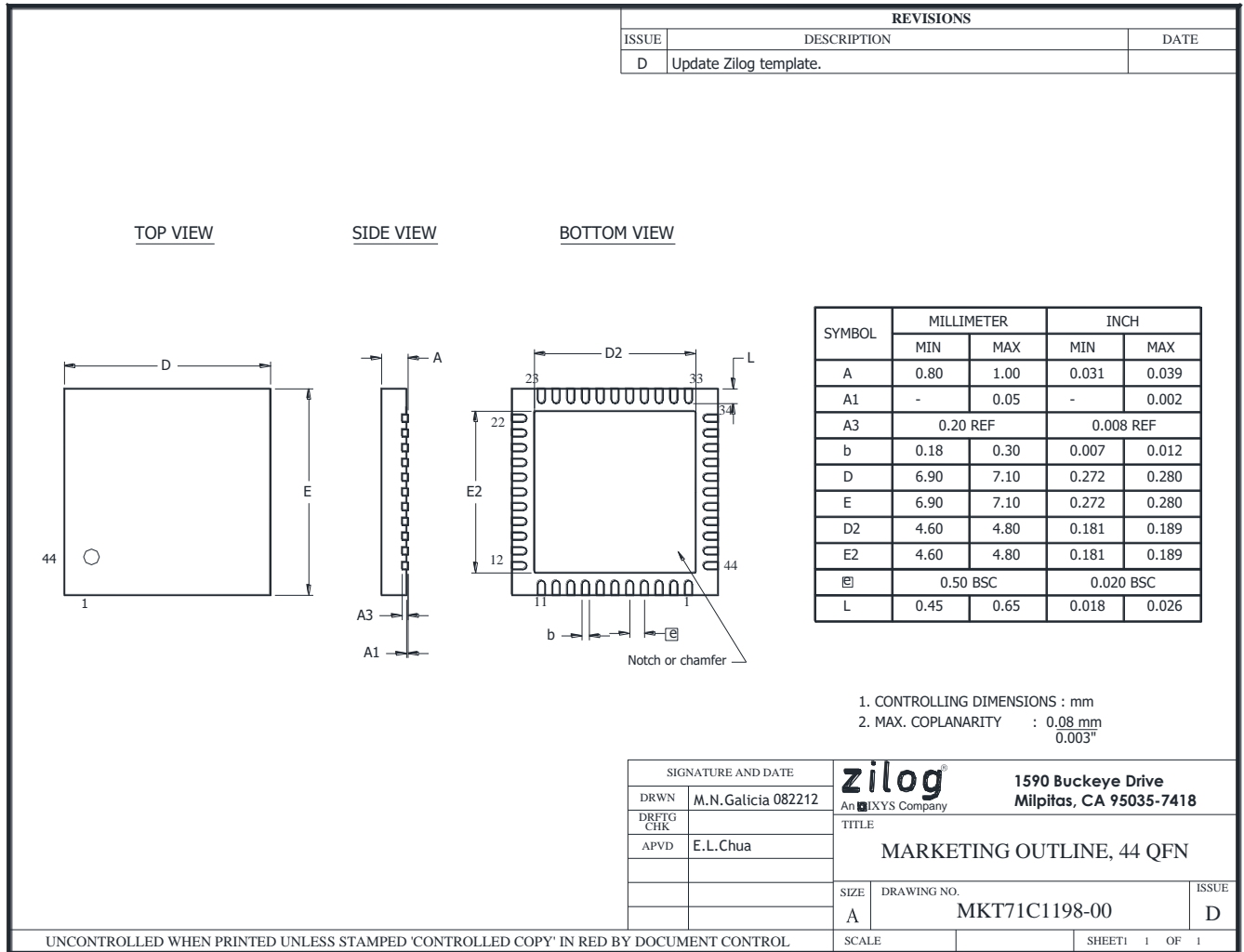
Marketing Outline, 28-Lead QFN



Marketing Outline, 32-Lead QFN



Marketing Outline, 44-Lead QFN

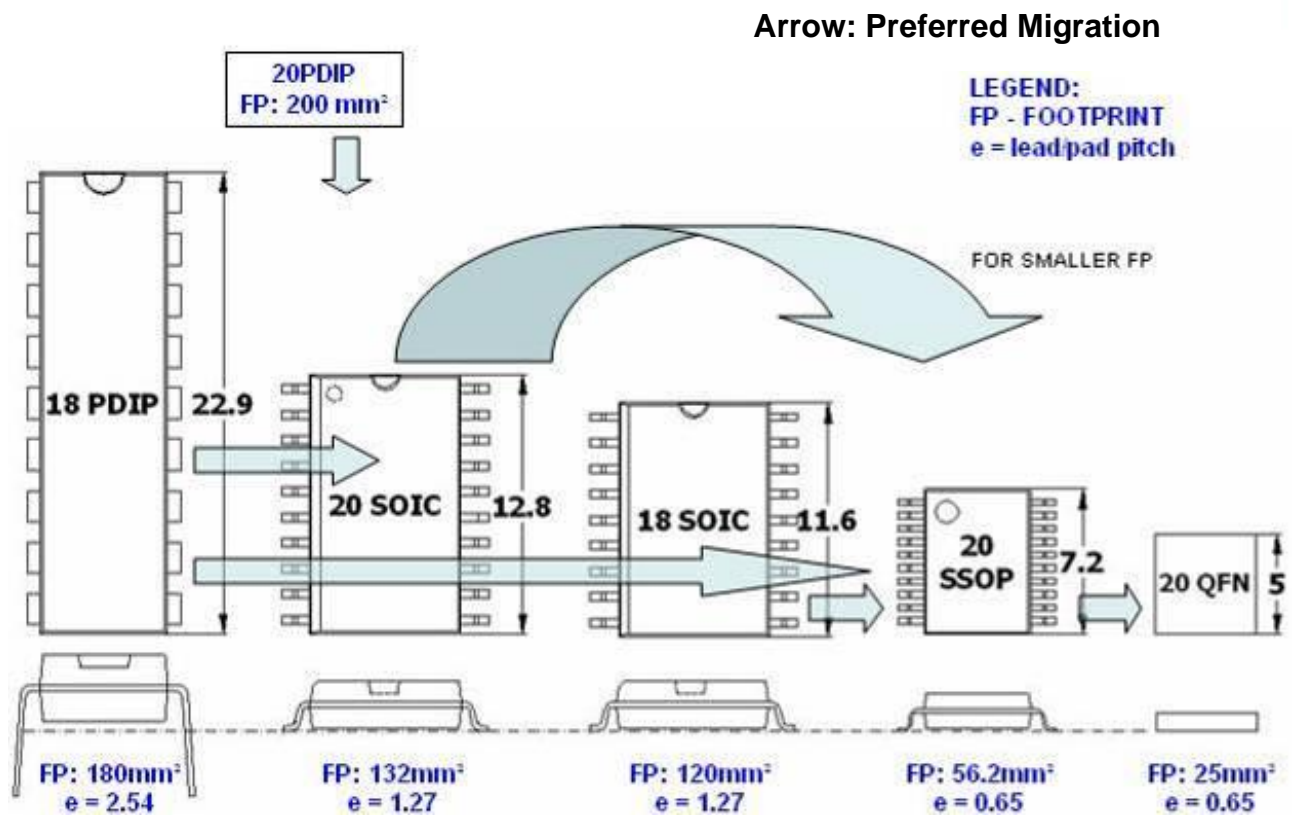


Packing Quantity

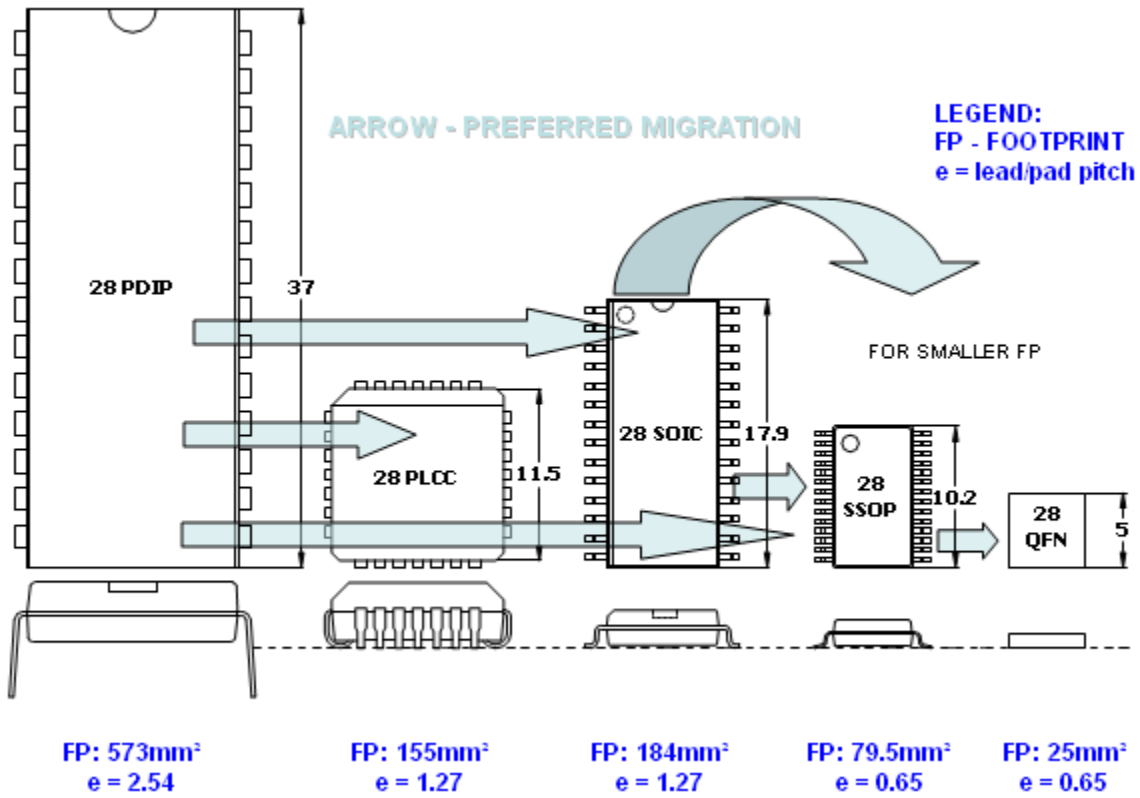
Lead Type	Unit Packing		
	Quantity	Tape & Reel	Dry Pack
PDIP 8 LEAD	50/RAIL		
PDIP 18 LEAD	20/RAIL		
PDIP 20 LEAD	18/RAIL		
PDIP 28 LEAD	15/RAIL		
PDIP 40 LEAD	10/RAIL		
PDIP 48 LEAD	8/RAIL		
SDIP 64 LEAD	8/RAIL		
PLCC 28 LEAD	39/RAIL	750/REEL	936/BAG
PLCC 44 LEAD	25/RAIL	500/REEL	500/BAG
PLCC 68 LEAD	20/RAIL	250/REEL	400/BAG
PLCC 84 LEAD	15/RAIL	250/REEL	225/BAG
QFP 80L 14 x 20 x 2.7	66/TRAY	450/REEL	660/BAG
QFP 100L 14 x 20 x 2.7	66/TRAY	450/REEL	660/BAG
LQFP 32L 7x7x1.4	250/TRAY	2000/REEL	2500/BAG
LQFP 44L 10 x 10 x 1.4	160/TRAY	1500/REEL	1600/BAG
LQFP 64L 10 x 10x 1.4	160/TRAY	1500/REEL	1600/BAG
LQFP 64L 14 x 14 x 1.4	90/TRAY	1500/REEL	900/BAG
LQFP 100L 14 x 14 x1.4	90/TRAY	1500/REEL	900/BAG
LQFP 144L 20 x 20 x 1.4	60/TRAY		600/BAG
SOIC 8L 150 mil	96/RAIL	3000/REEL	
SOIC 18L 300 mil	40/RAIL	2000/REEL	
SOIC 20L 300 mil	38/RAIL	1700/REEL	
SOIC 28L 300 mil	27/RAIL	1700/REEL	
SSOP 20L 5.3 mm	67/RAIL	2000/REEL	
SSOP 20L 225 (6.50x4.40mm)	70/RAIL		
SSOP 28L 5.3 mm	47/RAIL	2000/REEL	
SSOP 48L	30/RAIL	1000/REEL	
144 LBGA 13 X 13	160/TRAY		1600/BAG
QFN 8L 5x6x0.9	490/TRAY		4900/BAG
QFN 20L 5x5x0.9	490/TRAY		4900/BAG
QFN 28L 5x5x0.9	490/TRAY		4900/BAG
QFN 32L 5x5x0.9	490/TRAY		4900/BAG
QFN 44L 7X7	260/TRAY	3000	2600/TRAY

Package Migration

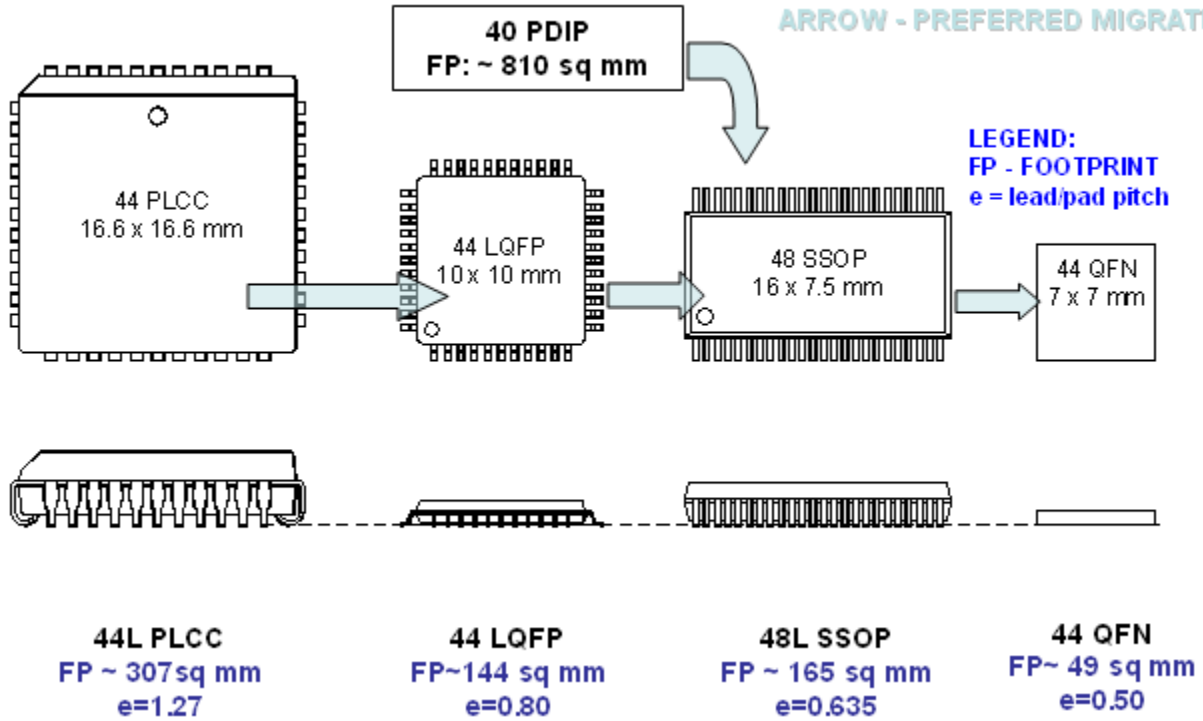
18/20-Lead PDIP Migration



28-Lead PDIP Migrations



40/44/48-Lead Migration



100/144-Lead Migration

